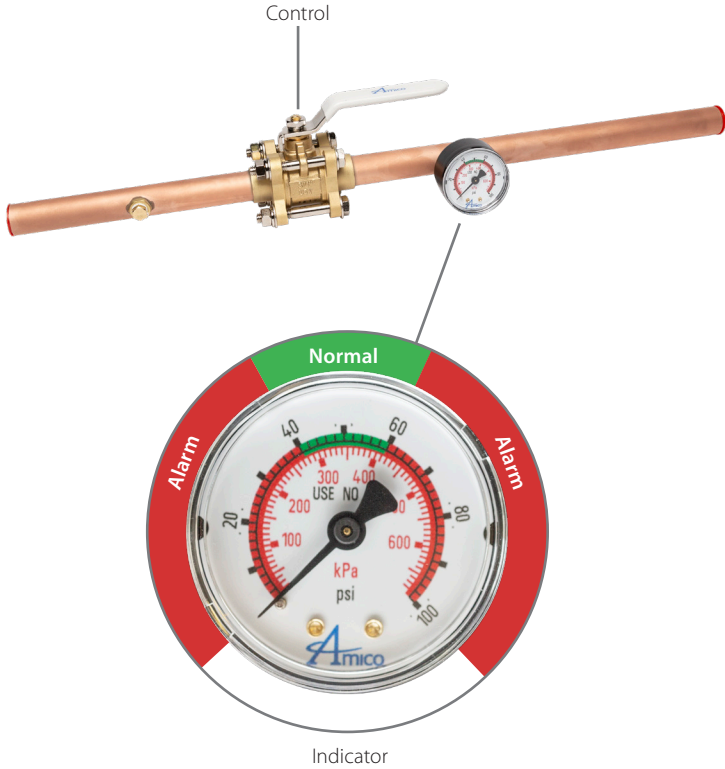


Zone Indicator Control System

with Extensions and Dual Purge Port



General Specifications:

Zone Indicator Control System shall consist of an alarm display for the zone and a control function.

The Zone Indicator Control System shall be 3 piece ball-type design with a brass forging body and a chrome plated brass ball for sizes ½" to 4" (1.3 cm - 10 cm). Ball seats, stem seals and stem washer shall be Reinforced Teflon (PTFE), with Viton stem and flange O-rings. A blow-out proof stem shall be used and the zone indicator shall have a maximum pressure rating of 600 psi (4,137 kPa).

The display shall indicate the status, RED for alarm condition and GREEN for normal condition.

The Zone Indicator Control System shall be operated by a lever-type handle requiring only a quarter turn to control the zone.

Zone indicators shall be equipped with a type "K", full port copper pipe stub extensions at both the inlet and outlet sides of the zone indicator port to facilitate installation.

Zone indicators shall be designed in such a manner that it can be "swung-out" during installation so as to prevent damage due to heat transfer during the brazing operation.

Each zone indicator assembly shall be washed and degreased for medical gas service. Pipe stub extensions shall be capped at both ends. The zone indicator shall be supplied in a sealed plastic bag to prevent contamination prior to installation.

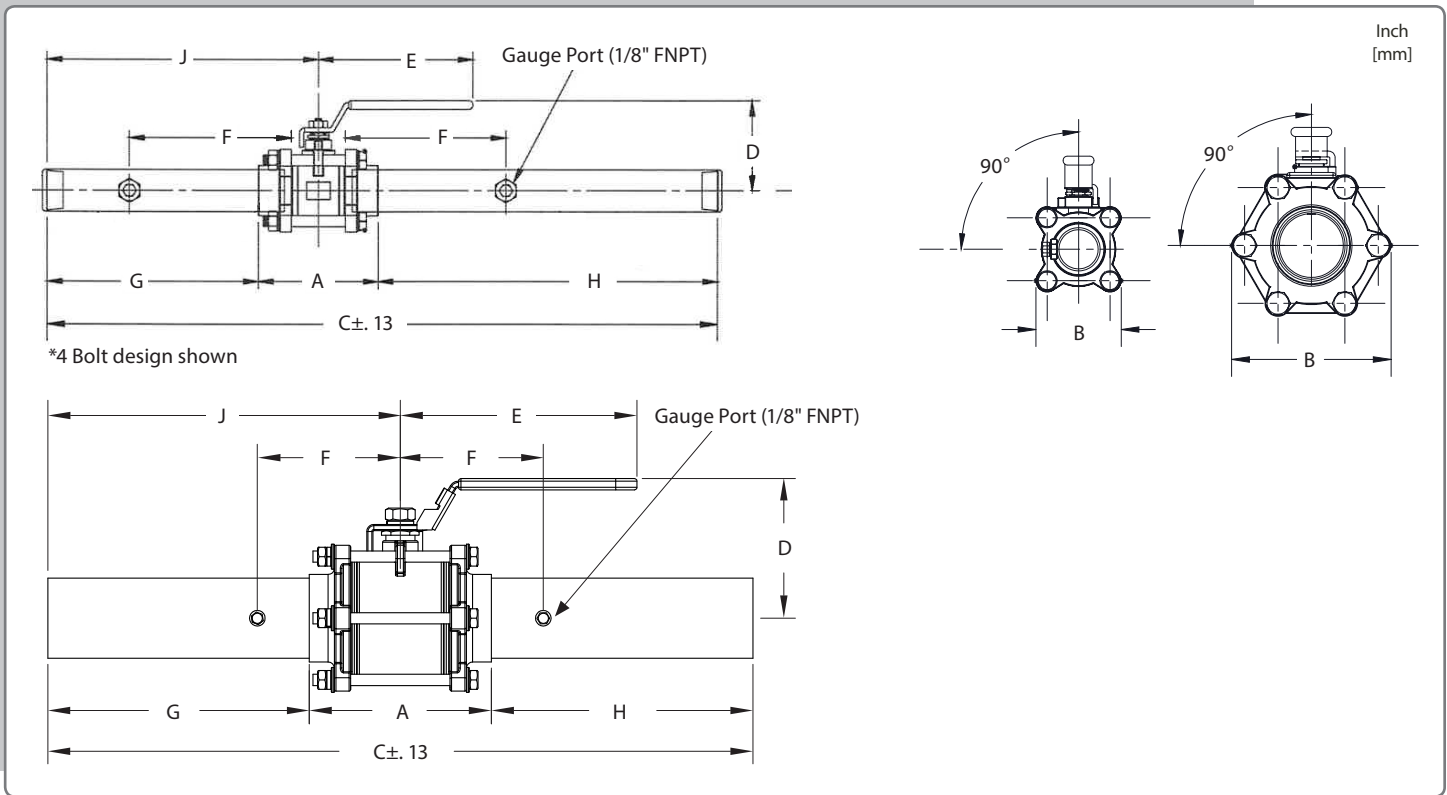
Amico products comply with NFPA-99 and CSA Z7396.1.

Features:

- 100 PSI Zone Alarm Indicator
- Serviceable design for ease of maintenance
- 100% Pressure tested
- Cleaned for oxygen service
- Available in sizes ½" to 4" (1.3 cm - 10 cm)
- Available in locking or non-locking

Project

Technical Specifications



Model Numbers

Model #	Size	A	B	C	D	E	F	G	H	J	Bolts
ZHSO-G2-05	1/2 (13)	2-63/100 (67)	1-39/50 (45)	21 (533)	1-69/100 (43)	3-17/50 (85)	4 (102)	6-59/100 (167)	11-3/4 (299)	7-9/10 (201)	4
ZHSO-G2-07	3/4 (19)	2-47/50 (75)	2 (51)	21 (533)	2 (51)	4-17/50 (110)	4 (102)	6-14/25 (167)	11-1/2 (292)	8-3/100 (204)	4
ZHSO-G2-10	1 (25)	3-4/9 (87)	2-1/4 (57)	21 (533)	2-4/25 (55)	4-17/50 (110)	4 (102)	6-9/32 (156)	11-1/4 (286)	8 (203)	4
ZHSO-G2-12	1-1/4 (32)	3-97/100 (101)	2-18/25 (69)	21 (533)	2-69/100 (68)	5-13/100 (130)	4 (102)	5-3/4 (146)	11-1/4 (286)	7-7/10 (196)	4
ZHSO-G2-15	1-1/2 (38)	4-4/9 (113)	3-3/100 (77)	21 (533)	2-8/9 (73)	5-13/100 (130)	4 (102)	5-41/100 (137)	11-13/100 (283)	7-3/5 (193)	4
ZHSO-G2-20	2 (51)	5-14/25 (141)	3-69/100 (94)	19-47/50 (506)	3-17/50 (85)	6-31/100 (160)	2-8/9 (73)	5-1/4 (133)	9-13/100 (232)	8-1/50 (204)	4
ZHSO-G2-25	2-1/2 (64)	6-47/64 (141)	4-23/25 (125)	30-3/4 (781)	4-29/100 (109)	9-1/20 (230)	4 (102)	12-21/100 (310)	11-81/100 (300)	15-57/100 (396)	6
ZHSO-G2-30	3 (76)	7-3/5 (192)	5-1/2 (140)	32-1/4 (819)	4-3/5 (117)	9-1/20 (230)	4 (102)	12-4/5 (326)	11-17/20 (301)	16-31/50 (422)	6
ZHSO-G2-40	4 (102)	9-4/5 (249)	7-29/64 (189)	32 (813)	6-17/20 (174)	11-73/100 (298)	4 (102)	11-1/10 (282)	11-1/10 (282)	16 (407)	6

*Measurements: inches (millimeters)

NOTE: To order with locking device, add the letter "L" after the current "G2" to any part number.
For example: ZI-ISO-G2L-XX.

Distributed By:

