



Features:

- Flow rate exceeds the requirements of NFPA and CSA
- Accepts only DISS gas specific adapters
- 100% pressure testing of each outlet and cleaned for medical gas service
- Indexed to eliminate interchangeability of gas services
- Up to 1" (25 mm) wall thickness adjustment
- 360° Swivel Inlet Pipe for easy installation
- Universal rough-in assembly to accept Quick Disconnects or DISS front adapters (can be interchanged at any time)
- Outlets are also available for M.R.I. use

General Specifications:

The medical gas outlet shall be an Amico Alert-1 series.

Outlets shall be manufactured with a 7-3/4" (197 mm) length type "K" 1/2" (12.7 mm) outside diameter (3/8" [9.5 mm] nominal) size copper inlet pipe stub, which is silver brazed to the outlet body. The body shall be of 1-5/16" (33 mm) diameter, one piece brass construction. For positive pressure gas services, the outlet shall be equipped with a primary and secondary check valve and the secondary check valve shall be rated at a maximum of 200 psi (1,379 kPa) in the event the primary check valve is removed for maintenance. Outlet bodies shall be gas specific by indexing each gas service to a gas specific dual pin indexing arrangement on the respective identification module.

A large color coded front plate shall be used for ease of gas identification and aesthetic appeal.

A one piece chromed fascia plate shall frame the outlet. With the back rough-in mounted, the outlet shall adjust from 3/8" (10 mm) to 1" (25 mm) variation in wall thickness.

The outlets shall be of modular design and include a gas specific 1.6 mm (16 ga.) steel mounting plate designed to permit on-site ganging of multiple outlets, in any order, on 5" (127 mm) spacing.

The latch-valve assembly shall be D.I.S.S. (Diameter Index Safety System) and shall only accept corresponding gas specific adapters.

All M.R.I. outlets are manufactured from nonferrous materials.

All outlets shall be cleaned and degreased for medical gas service, factory assembled and tested.

The outlets are UL Listed and ETL Listed.

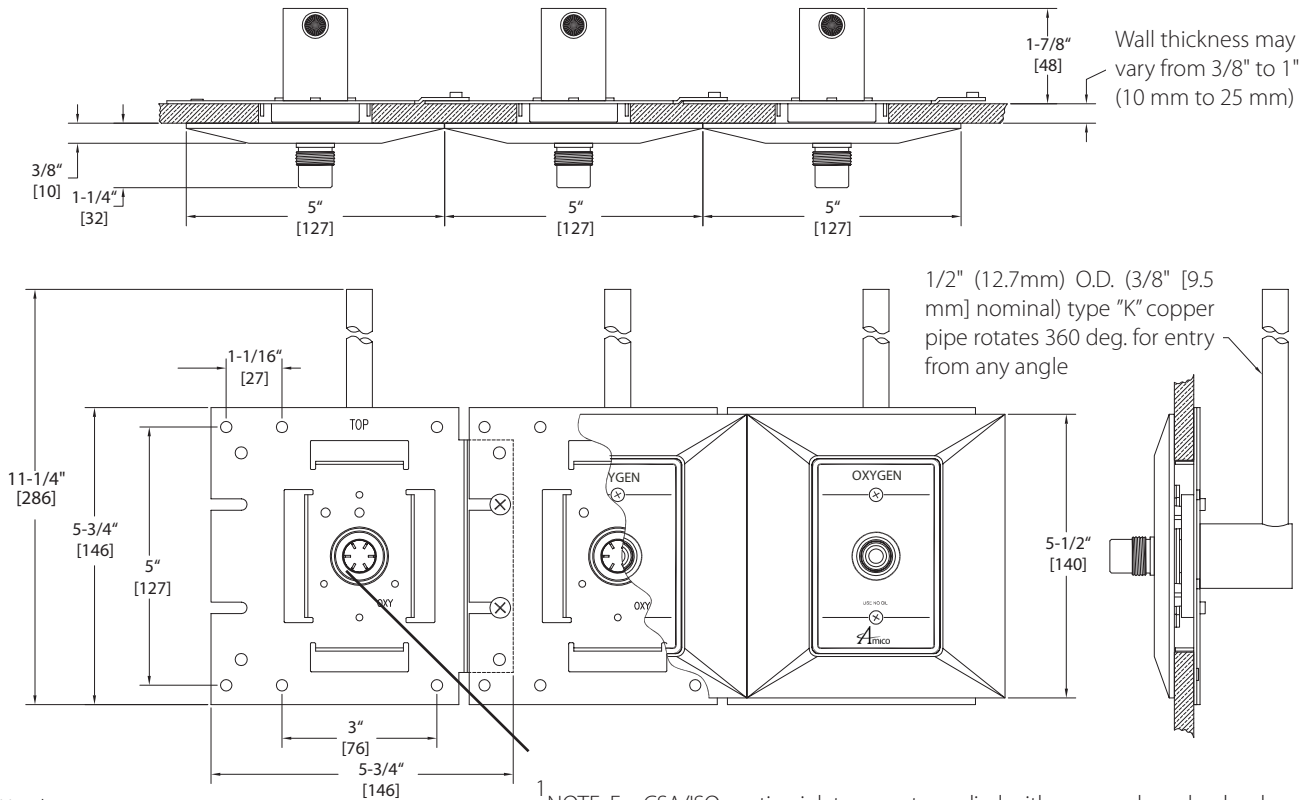
Amico products comply with NFPA 99 and CSA Z7396.1.

Project

Technical Specifications

NOTE:
Amico recommends that you have a blank space between outlets and slides.
Maximum 3 outlets may be ganged together without additional support.

Inch
(mm)



Product Weight:
0.889 kg (1.96 lbs)

¹ NOTE: For CSA/ISO, suction inlets are not supplied with a secondary check valve. A pressure plug is provided for testing purposes, rated at 150 psi (1,034 kPa).

Model Numbers

O-DISWAL-L-XXX

The "L" defines the Language:

- U = English (NFPA) Oxy, Air, Vac and WAG only
- E = English (CSA/ISO)
- F = French (CSA/ISO)
- SU = Spanish (NFPA)
- S = Spanish (CSA/ISO)

Example: Oxygen NFPA = **O-DISWAL-U-OXY**

M.R.I. Model Numbers

O-DISWALM-L-XXX

Example: English NFPA (M.R.I.) - Oxygen = **O-DISWALM-U-OXY**

The "XXX" defines the Gas:

- Oxygen = OXY
- Medical Air = AIR
- Nitrous Oxide = N2O
- Nitrogen = NIT
- Carbon Dioxide = CO2
- MedVac¹ = VAC
- Waste Anesthetic Gas Disposal (NFPA) = WAG
- Anesthetic Gas Scavenging System¹ (CSA) = AGS
- Instrument Air = INA

¹Please see note above