

Ohmeda Diamond 1 to Amico



General Specifications:

The medical gas Retro-Fit outlet shall be an Amico Alert-1 series.

Outlets shall be equipped with a primary and secondary check for positive pressure for gas services. The secondary check valve shall be rated at a maximum of 200 psi [1,379 kPa] in the event the primary check valve is removed for maintenance. Outlet bodies shall be gas-specific by indexing each gas service to a gas-specific single pin indexing arrangement on the respective identification module.

A large, color-coded front plate shall be used for ease of gas identification and aesthetic appeal.

A one piece filler frame and chrome trim plate shall frame the outlet.

The latch-valve assembly shall be Ohmeda Diamond™ (Ohio Medical) Quick Disconnect compatible and accept only corresponding Ohmeda type gas specific adapters or any of the compatible outlets manufactured by Amico.

Amico products comply with NFPA-99.

Features:

Flow rate exceeds the requirements of NFPA and CSA

Accepts Ohmeda Diamond™ and DISS gas-specific adapters depending on the type ordered

100% Pressure testing of each outlet and cleaned for medical gas service

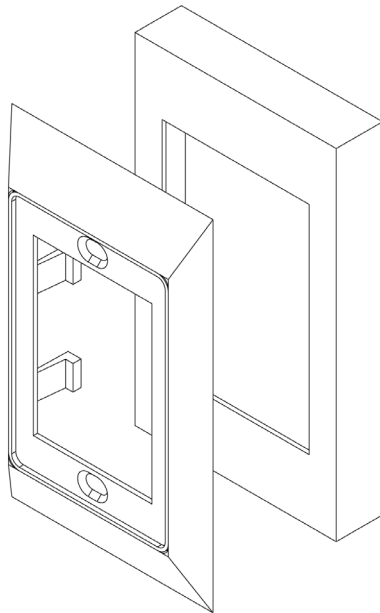
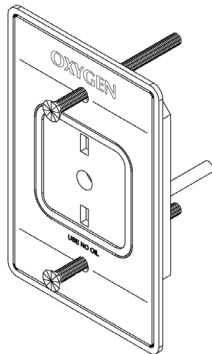
Indexed to eliminate interchangeability of gas services

Universal rough-in assembly to accept Quick Disconnect or DISS front adapters (Can be interchanged at any time)

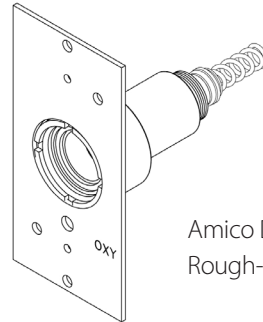
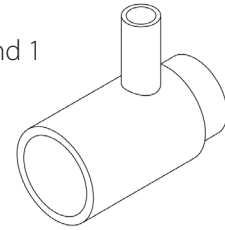
Technical Specifications

Weight: 1.349 kg
[2.974 lbs]

Amico Wall Spacer



Existing Diamond 1
Rough-in



Amico Diamond 1
Rough-in

IMPORTANT NOTE:

Due to unknown factors of the existing equipment, projects requiring Retro-Fit Conversions must be fully investigated by the installer.

It is the responsibility of the installer to determine if the Retro-Fit will function correctly and if additional components are required. Amico is not responsible for any additional components required.

Model Numbers

(Complete Conversion Kit)

O-OH1-XX-L-X

The Letters "XX" defines the Connection Type:

DI = DISS (Diameter Index Safety System)
QD = Ohmeda (Quick Connect)

The "L" defines the Language:

U = English (NFPA) Oxy, Air, Vac and WAG only
E = English (CSA/ISO)
F = French (CSA/ISO)

The "X" defines the Gas:

Oxygen	= O
Medical Air	= A
Nitrous Oxide	= 2
Nitrogen*	= N
Carbon Dioxide**	= C
MedVac	= V
Waste Anesthetic	
Gas Disposal (NFPA)	= W
Anesthetic Gas Scavenging System ¹ (CSA)	= AG

* Available in DISS connection type only

** Available in Ohmeda and DISS connection types only