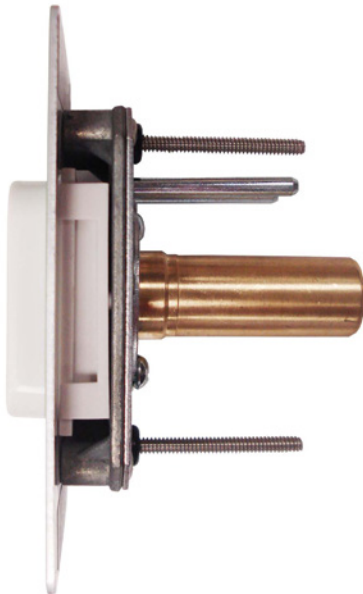


Assembly Puritan-Bennett

FRONT



SIDE



General Specifications:

The Extended Latch-Valve Assembly shall accommodate a 3/4" to 1-1/4" wall thickness.

A large color coded Front plate shall be used for ease of gas identification and aesthetic appeal.

Extended Latch-Valve Assemblies are available for Ohmeda Compatible, DISS, Puritan-Bennet Compatible, Chemetron Compatible and Oxequip Compatible Outlets.

All Extended Latch-Valve Assemblies shall be cleaned and degreased for medical gas service, factory assembled and tested.

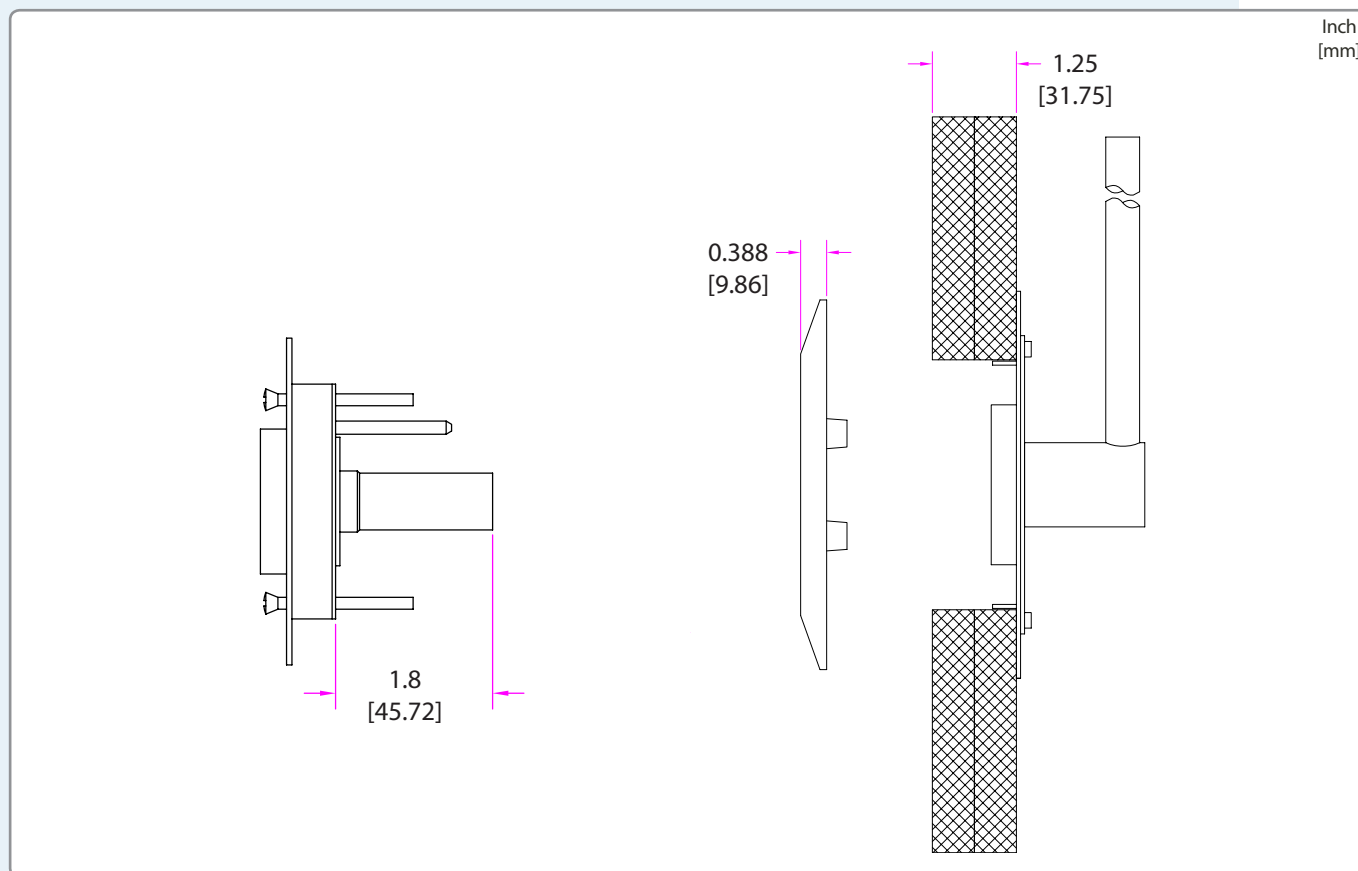
Flow rate exceeds the requirements of NFPA.

Extended Latch-Valve Assemblies are UL Listed and ETL Listed.

Amico products comply with NFPA-99.

Outlets are also available for M.R.I. use.

Technical Specifications



Model Numbers

O-FASE-XX-L-GAS

The Letters "XX" Defines the Latch-Valve Assembly Type:

- QD = Ohmeda Compatible
- CH = Chemetron Compatible
- PB = Puritan-Bennett Compatible
- DI = DISS
- OX = Oxequip/Medstar Compatible

The Letter "L" Defines the Language:

- U = English (NFPA) OXY, AIR, VAC & WAG
- E = English (CSA/ISO)
- F = French (CSA/ISO)

The Word "GAS" defines the Type of Gas:

- Oxygen = OXY
- Nitrogen * = NIT
- Medical Air = AIR
- Carbon Dioxide ** = CO2
- Nitrous Oxide = N2O
- Medvac = VAC
- Waste Anesthetic Gas Disposal (NFPA) = WAG
- Anesthetic Gas Scavenging System (CSA) = AGS

NOTE:

- * Nitrogen available in DISS
- ** Carbon Dioxide not available in Puritan-Bennett

M.R.I. Model Numbers O-FAME-XX-L-GAS

Amico Corporation 85 Fulton Way, Richmond Hill, ON L4B 2N4, Canada | 71 East Industry Court, Deer Park, NY 11729, USA
 Toll Free Tel: 1.877.462.6426 | Toll Free Fax: 1.866.440.4986 Tel: 905.764.0800 | Fax: 905.764.0862