

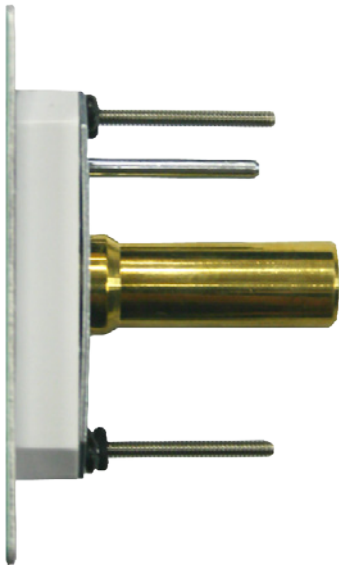
# Extended Latch-Valve Assembly Ohmeda



FRONT



SIDE



## General Specifications:

The Extended Latch-Valve Assembly shall accommodate a 3/4" to 1-1/4" wall thickness.

A large color coded Front plate shall be used for ease of gas identification and aesthetic appeal.

Extended Latch-Valve Assemblies are available for Ohmeda Compatible, DISS, Puritan-Bennet Compatible, Chemetron Compatible and Oxequip Compatible Outlets.

All Extended Latch-Valve Assemblies shall be cleaned and degreased for medical gas service, factory assembled and tested.

Flow rate exceeds the requirements of NFPA and CSA.

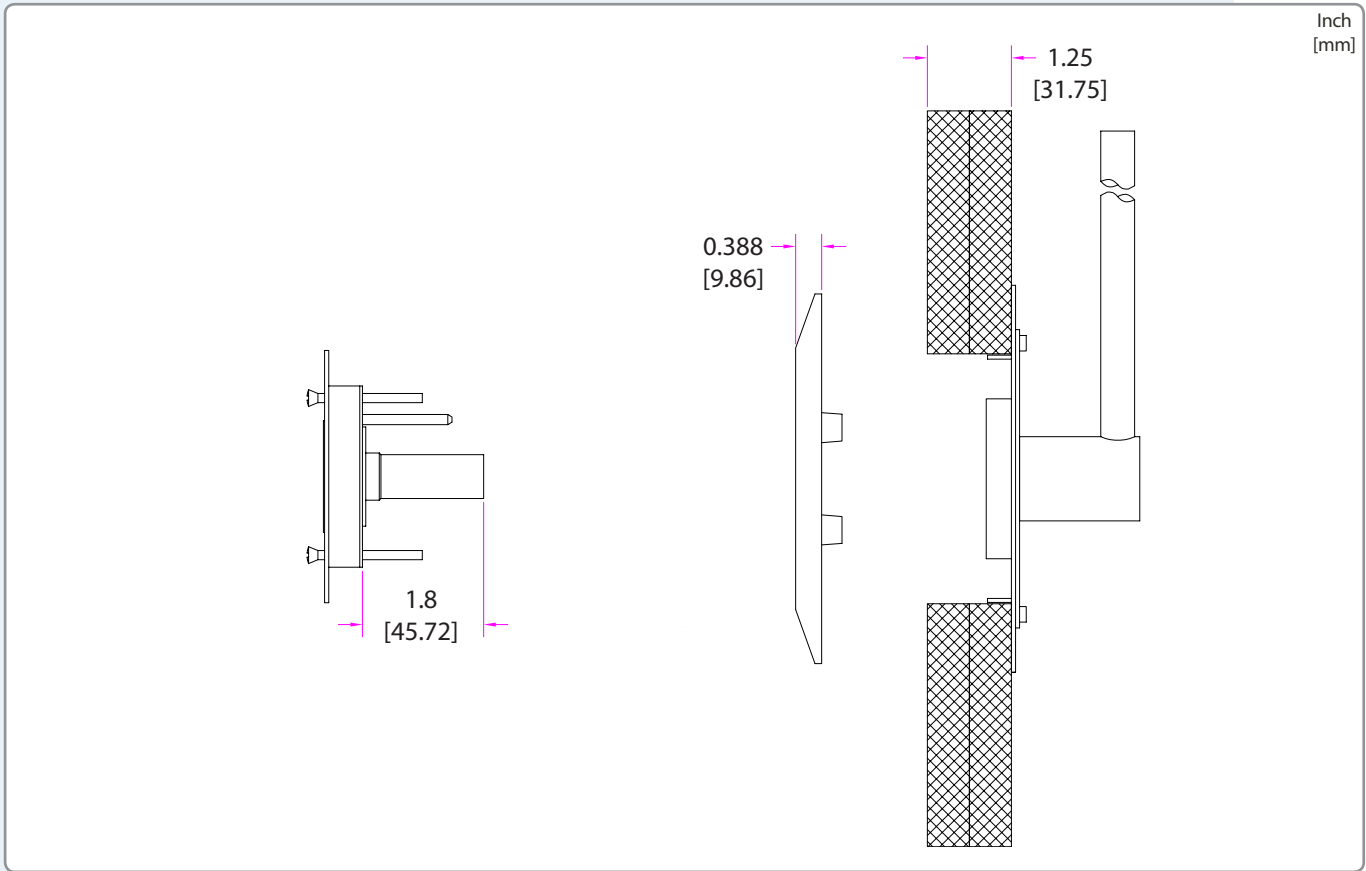
Extended Latch-Valve Assemblies are UL Listed and ETL Listed.

Amico products comply with NFPA-99.

Outlets are also available for M.R.I. use.



# Technical Specifications



## Model Numbers

### O-FASE-XX-L-GAS

#### The Letters "XX" Defines the Latch-Valve Assembly Type:

QD = Ohmeda Compatible  
 CH = Chemetron Compatible  
 PB = Puritan-Bennett Compatible  
 DI = DISS  
 OX = Oxequip/Medstar Compatible

#### The Letter "L" Defines the Language:

U = English (NFPA) OXY, AIR, VAC & WAG  
 E = English (CSA/ISO)  
 F = French (CSA/ISO)

#### The Word "GAS" defines the Type of Gas:

Oxygen	= OXY
Nitrogen *	= NIT
Medical Air	= AIR
Carbon Dioxide **	= CO2
Nitrous Oxide	= N2O
Medvac	= VAC
Waste Anesthetic Gas Disposal (NFPA)	= WAG
Anesthetic Gas Scavenging System (CSA)	= AGS

#### NOTE:

\* Nitrogen available in DISS  
 \*\* Carbon Dioxide not available in Puritan-Bennett

## M.R.I. Model Numbers O-FAME-XX-L-GAS

Amico Corporation 85 Fulton Way, Richmond Hill, ON L4B 2N4, Canada | 71 East Industry Court, Deer Park, NY 11729, USA  
 Toll Free Tel: 1.877.462.6426 | Toll Free Fax: 1.866.440.4986 Tel: 905.764.0800 | Fax: 905.764.0862