

# Installation and Maintenance Manual

## Medical Gas Outlets

DISS, Ohmeda, Chemetron, Puritan-Bennett & Oxequip / MedStar Compatible



Puritan-Bennett  
Compatible



Chemetron  
Compatible



Ohmeda  
Compatible



DISS



Oxequip/ MedStar  
Compatible

# Table of Contents

Product Description	3
Cleaning and Lubricating	4
Inspection and Testing	4
<b>Installation &amp; Dimensions</b>	<b>5-7</b>
Wall Outlet	5
Ceiling Outlet	6
Console Outlet	6
Ceiling Column Outlet	7
<b>Service</b>	<b>8-13</b>
Latch-Valve Assembly - DISS	8
Latch-Valve Assembly - Ohmeda (compatible)	9
Latch-Valve Assembly - Chemetron (compatible)	10
Latch-Valve Assembly - Puritan-Bennett (compatible)	11
Latch-Valve Assembly - Oxequip/MedStar (compatible)	12
Rough-In Assembly - Wall and Console	13
<b>Model Numbers</b>	<b>14-16</b>
Latch-Valve Assembly	14
Rough-In Assembly	15
Complete Outlets	16
<b>Gas Indexing</b>	<b>17</b>
<b>Replacement Components</b>	<b>18-23</b>
Latch-Valve Assembly - Ohmeda (compatible)	18
Latch-Valve Assembly - Chemetron (compatible)	19
Latch-Valve Assembly - DISS	20
Latch-Valve Assembly - Puritan-Bennett (compatible)	21
Latch-Valve Assembly - Oxequip/MedStar (compatible)	22
Rough-In Assembly - Wall and Console	23

# Product Description

The Amico Medical Gas outlet is composed of two separate modules: the “Rough-in assembly” and the “Latch-valve assembly”. The “Rough-in assembly” is the same for all types (DISS, Ohmeda, Chemetron, Puritan-Bennett or Oxequip/MedStar), while the “Latch-valve assembly” determines what type of adapter the outlet will accept.

The “Rough-in assembly” consists of a brass machined body that incorporates a spring loaded check assembly. A 1/2" [12.7 mm] OD copper pipe is silver brazed into the body for external pipeline connections. The brass body and pipe assembly are inserted into a gas specific plate. The wall outlets can be ganged together at 5" [127 mm] centers (see page 5). This makes for a finished assembly that looks like one complete panel of outlets. The “Rough-in assembly” has a color coded label on the copper pipe, so that the installer can easily identify the gas that the copper pipe should be connected to. The “Rough-in assembly” incorporates a check valve that allows the “Latch valve assembly” to be removed for service, without requiring the pipeline to be shut down. The “Rough-in assembly” has a DUAL pin gas specific indexing arrangement to prevent the wrong “Latch valve assembly” from being plugged into the “Rough-in assembly” (see page 17).

The “Latch-valve assembly” is manufactured in five different models: DISS, Quick connect Ohmeda compatible, Quick connect Chemetron compatible, Quick connect Puritan-Bennett compatible or Quick connect Oxequip/MedStar compatible. The DISS “Latch-valve assembly” is permanently riveted together, so that the gas specific components cannot be taken apart, to ensure they remain gas specific. All the servicing on the DISS outlet is done inside the connector. On the Quick connect models the connector plate can be removed for additional O-Ring servicing, but is still gas specific since the gas specific parts are permanently riveted together. The “Latch-valve assembly” consists of: a connector with an integral check valve, an indexing block complete with indexing pins, a color coded gas front plate and a chrome frame. The “Latch-valve assembly” is inserted into the “Rough-in assembly” and secured screws.

**CAUTION: DO NOT overtighten the Latch Valve Mounting screws! Distortion of the Latch valve can occur.**

The quick connect models are compatible with the Ohmeda Diamond, the Oxequip/MedStar, the Chemetron, and the Puritan-Bennett quick connect adapters. Only the corresponding type of adapters can be used with the quick connect outlets. The DISS outlet conforms to the CGA Pamphlet V-5 standards. Since the “Rough-in assembly” is the same for all models of “Latch-valve assemblies”, the outlet can easily be converted from one type to another by simply replacing the “Latch-valve assembly”.

**NOTE: For ceiling applications, only DISS outlets are recommended**

# Cleaning and Lubricating

The Amico Outlets are factory cleaned for oxygen service. Exposed surfaces of the outlet may be cleaned with a mild detergent solution or wiped with a disinfectant commonly used in patient rooms, that is compatible with plastics, anodized aluminium and die cast zinc. Lubricate elastomer seals sparingly with a silicone lubricant that is oxygen compatible. DO NOT USE OIL.

# Inspection and Testing

Medical Gas Outlets should be inspected periodically or at least once a year. The test should be in accordance with NFPA 99 "Gas and Vacuum systems".

## **Test for Leaks:**

Ensure that no leaks exists, with or without the adapter inserted.

## **Test for Indexing:**

Only a mating gas specific adapter should insert smoothly into the outlet, latch and be retained.

## **Test for Flow:**

- Gas Outlets: 120 l/min (4.2 scfm) @ 345 kPa (50 PSI), maximum allowable pressure drop is 28 kPa (4 PSI).
- Nitrogen Outlet: 400 l/min (14.1 scfm) @ 1,250 kPa (180 PSI), maximum allowable pressure drop is 70 kPa (10 PSI).
- Vacuum Outlet: 30 l/min (1.1 scfm) @ 54 kPa (16 inHg), maximum allowable pressure drop is 13 kPa (4 inHg).

Refer to the appropriate standards for the proper way of performing the flow test.

## **Note:**

The Amico medical gas and vacuum outlets meet and exceed these requirements at the time of manufacture.

However piping source capacity, sizing and restrictions may prevent outlets from attaining these values.

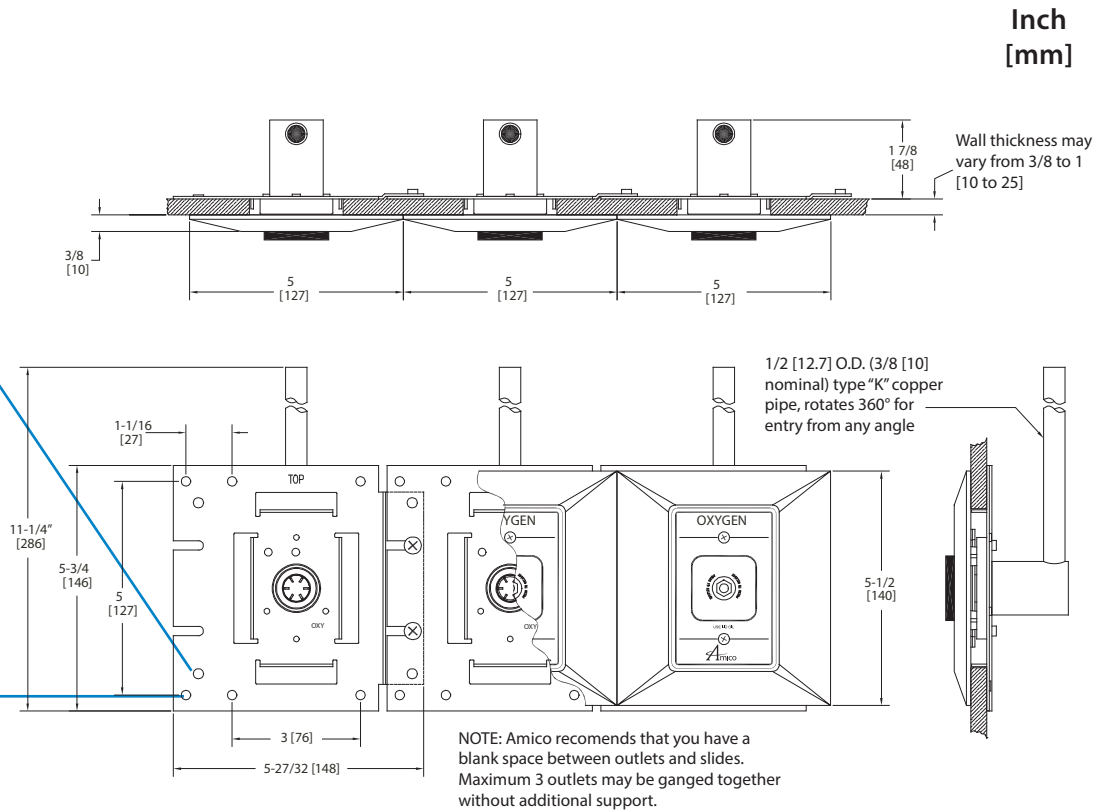
# Installation and Dimensions

## Wall Outlets

DISS, Ohmeda compatible, Chemetron compatible, Puritan-Bennett and Oxequip/MedStar compatible

When wall outlets are ganged together, ensure that they are 5" (127 mm) from center to center. **DO NOT** let the notches on the mounting plate pass the adjacent holes on the next mounting plate.

Do not bury the outlet during the drywall and plaster application. Ensure that the cover over the outlet is in place until the "Latch-valve assembly" can be installed.

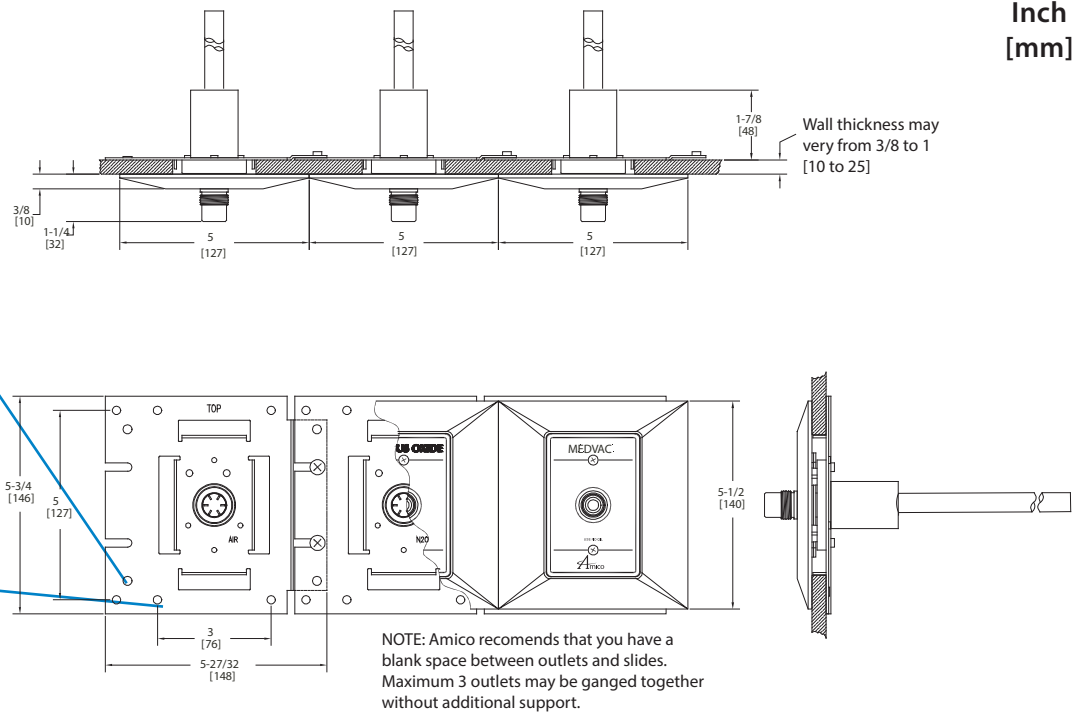


# Installation and Dimensions

## Ceiling Outlets - DISS

When wall outlets are ganged together, ensure that they are 5" (127 mm) from center to center. DO NOT let the notches on the mounting plate pass the adjacent holes on the next mounting plate.

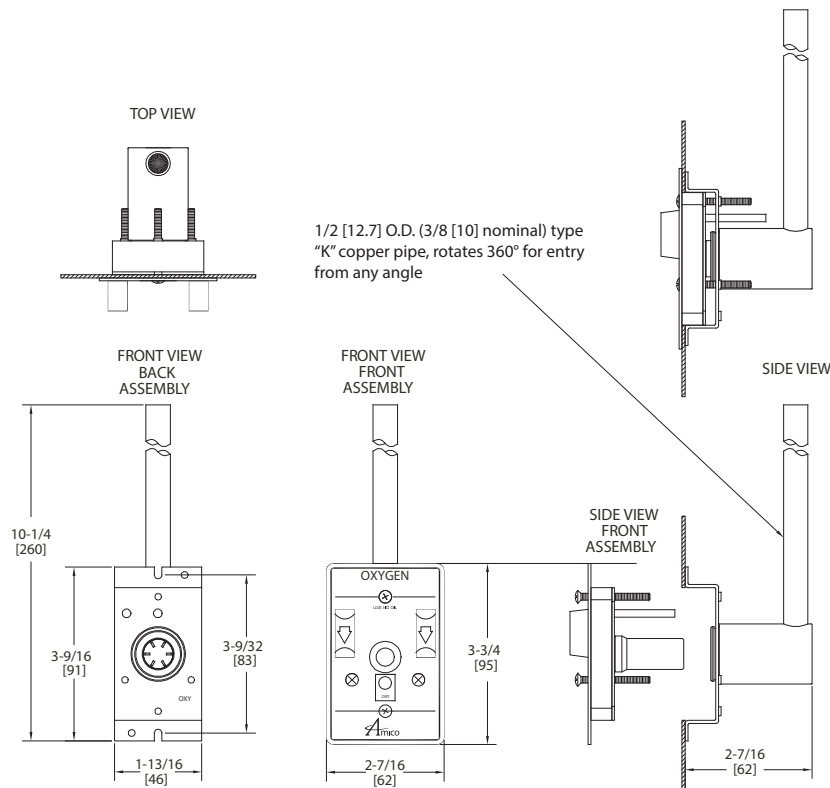
Do not bury the outlet during the drywall and plaster application. Ensure that the cover over the outlet is in place until the "Latch-valve assembly" can be installed.



Inch  
[mm]

## Console Outlets

DISS, Ohmeda compatible, Chemetron compatible, Puritan-Bennett and Oxequip/MedStar compatible

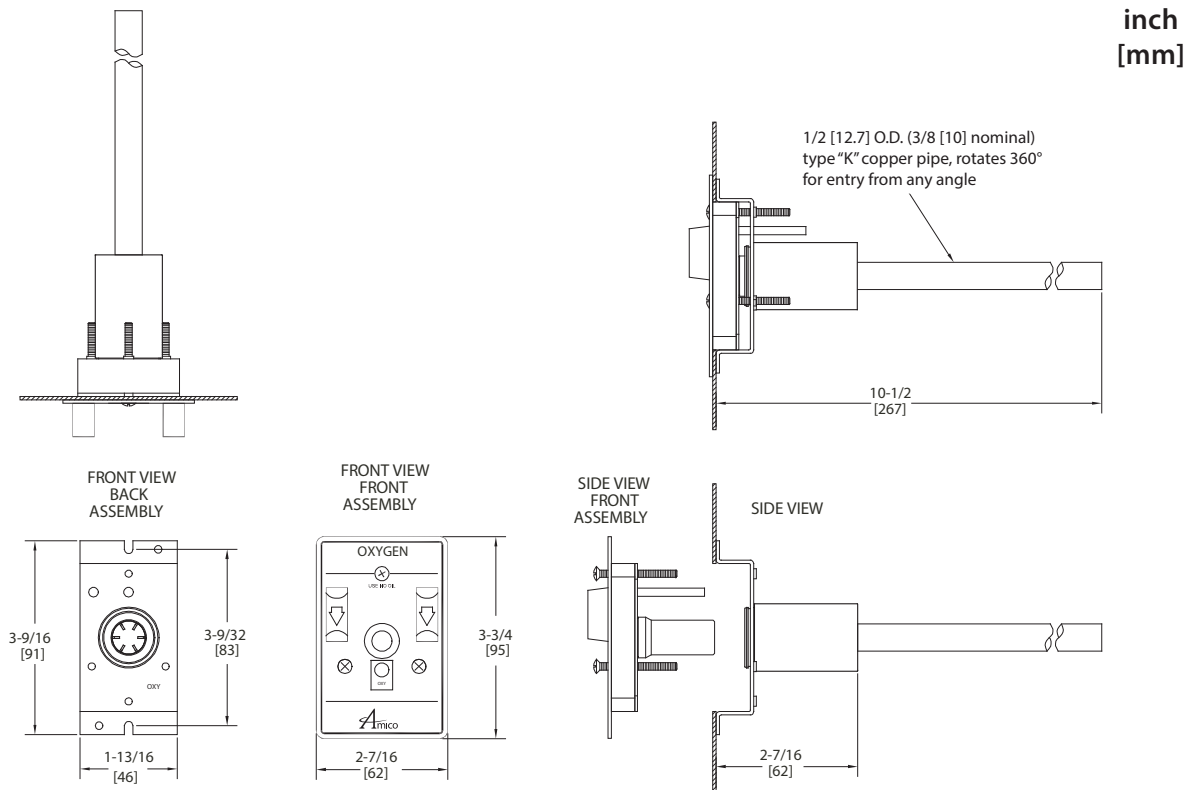


inch  
[mm]

# Installation and Dimensions

## Ceiling Column Outlets

DISS, Ohmeda compatible, Chemetron compatible, Puritan-Bennett and Oxequip/MedStar compatible



On all outlets (wall and console) the connecting pipe can swivel a full 360° for easy connection to the gas pipe.

When soldering the pipe connection take care not to heat up the body, since that could damage the secondary check valve.

It is very important to keep the protective cover/caps in place during construction, to ensure that no debris or dirt get into the outlet.

When installing the "Latch-valve assembly", remove the protective cover and inspect for dirt or debris in the outlet body. Clean out the contaminants, if required.

The "Latch-valve assembly" should slide in smoothly into the "Rough-In assembly", if not, check that there is no damages to the indexing pin arrangements. If the indexing pins are bent or damaged, replace the "Latch-valve assembly".

**DO NOT PRESSURE TEST THE PIPELINE OVER 100 PSI [690 kPa] IF THE "LATCH-VALVE ASSEMBLY" HAS BEEN INSTALLED.**

All "Rough-in assemblies" can be pressure tested up to a maximum of 200 PSI without the "Latch-valve assembly" attached to it.

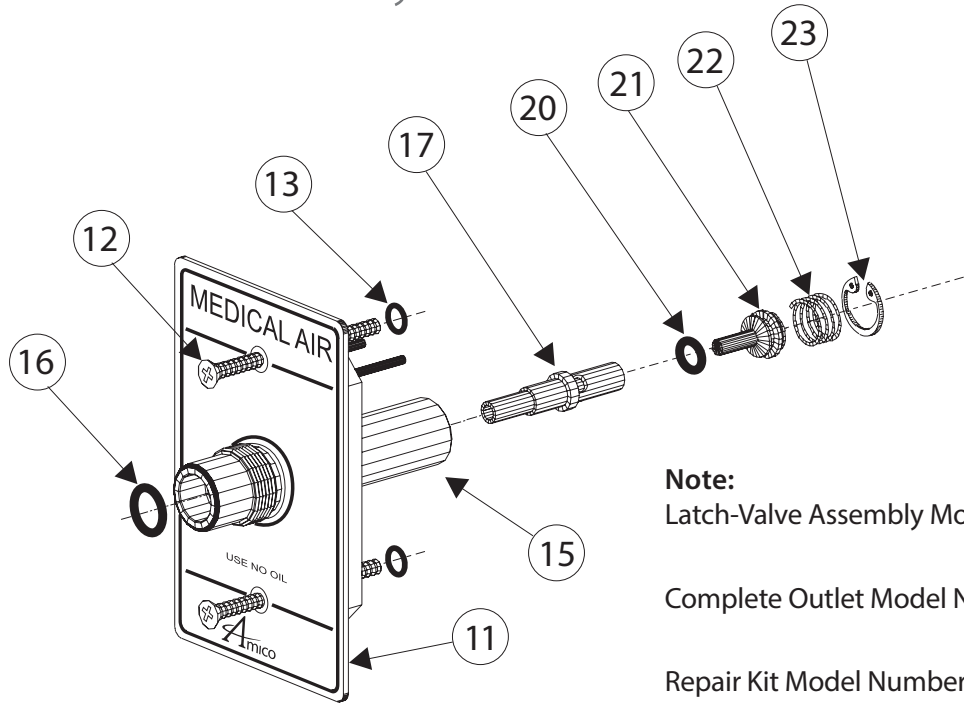
All "Latch-valve assemblies" with the exception of Nitrogen DISS have a Maximum pressure rating of 100 PSI [690 kPa]. The Nitrogen DISS has a maximum pressure rating of 200 PSI [1,380 kPa].

After installation, perform the test on page 1.

# Service

Before performing any maintenance on the Outlet, the appropriate hospital maintenance or engineering personnel should be notified. The “Latch-valve assembly” can be removed without interrupting the service, but when servicing the “Rough-In assembly” the supply pressure has to be shut off.

## Latch Valve Assembly DISS



**Note:**

Latch-Valve Assembly Model Numbers see Page 14

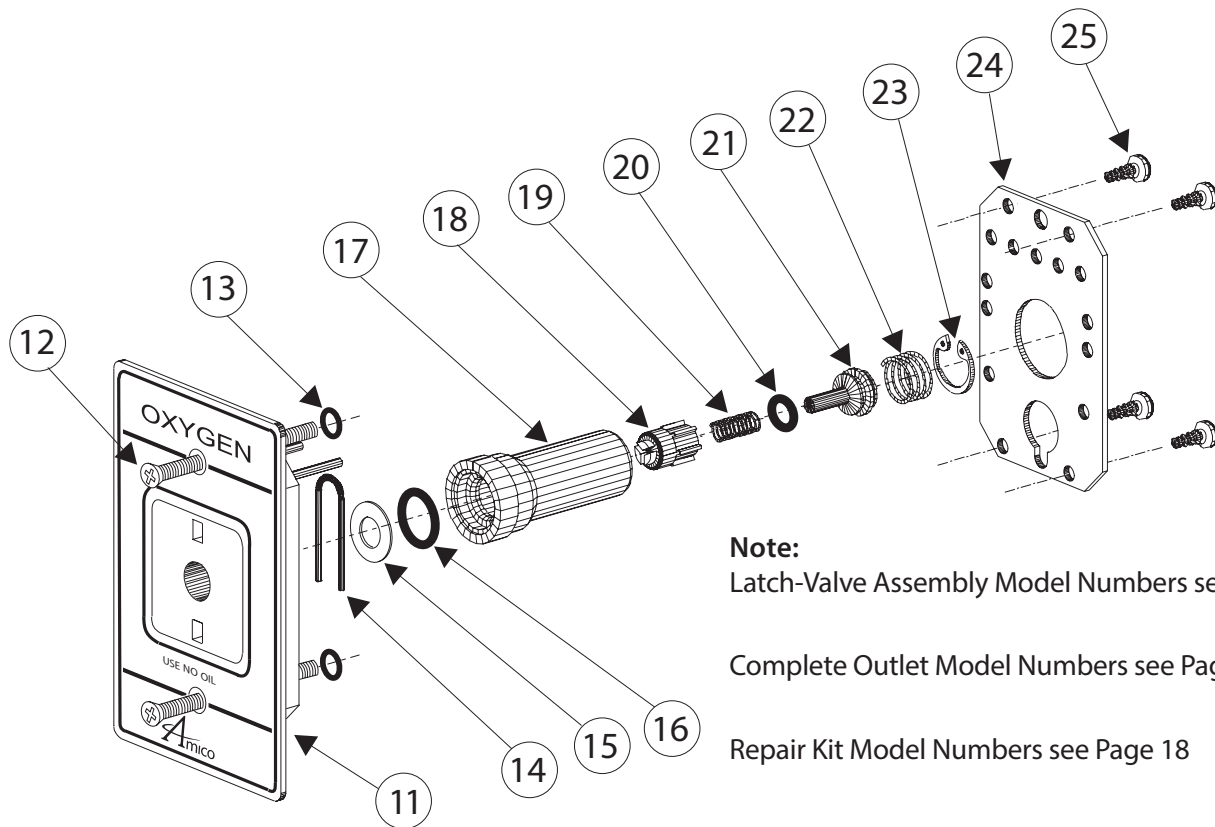
Complete Outlet Model Numbers see Page 16

Repair Kit Model Numbers see Page 20

1. Unscrew the two retaining screws (12) until the Latch Valve Assembly (11) can be removed from the outlet.
2. Remove the O-Ring seal (16) from the front and replace (NOTE: There is no O-Ring for Oxygen, Medical Air and Carbon Dioxide).
3. Remove the retaining ring (23) using appropriate pliers. Remove the valve stem (17), O-Ring seal (20), primary check valve (21) and spring (22). Inspect the items for wear or damage and replace if needed. Replace the O-Ring (20).
4. Re-install all internal components and lock in place with the retaining ring (23).
5. Re-install the Latch Valve Assembly into the outlet. Coat the connector (15) with a thin coat of oxygen compatible silicone lubricant to aid insertion. Tighten down the retaining screws (12), DO NOT over tighten, as this could damage the Latch Valve.
6. Connect a gas specific adapter to the outlet. The connection should be smooth and hand tightening of the nut should be sufficient to allow the gas to flow without leakage. If not, replace the entire Latch Valve Assembly (11).



# Latch Valve Assembly Ohmeda (Compatible)



**Note:**

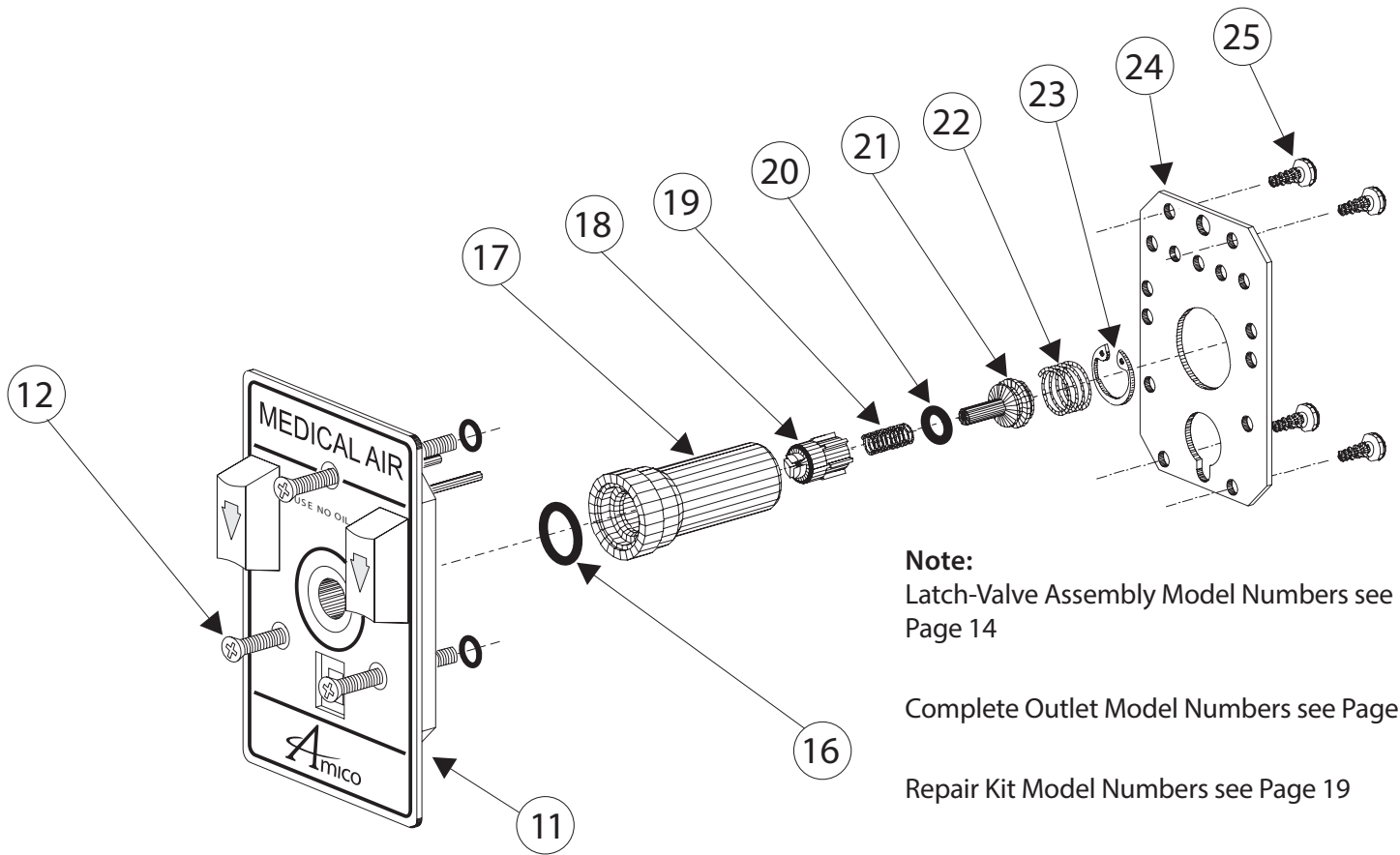
Latch-Valve Assembly Model Numbers see Page 14

Complete Outlet Model Numbers see Page 16

Repair Kit Model Numbers see Page 18

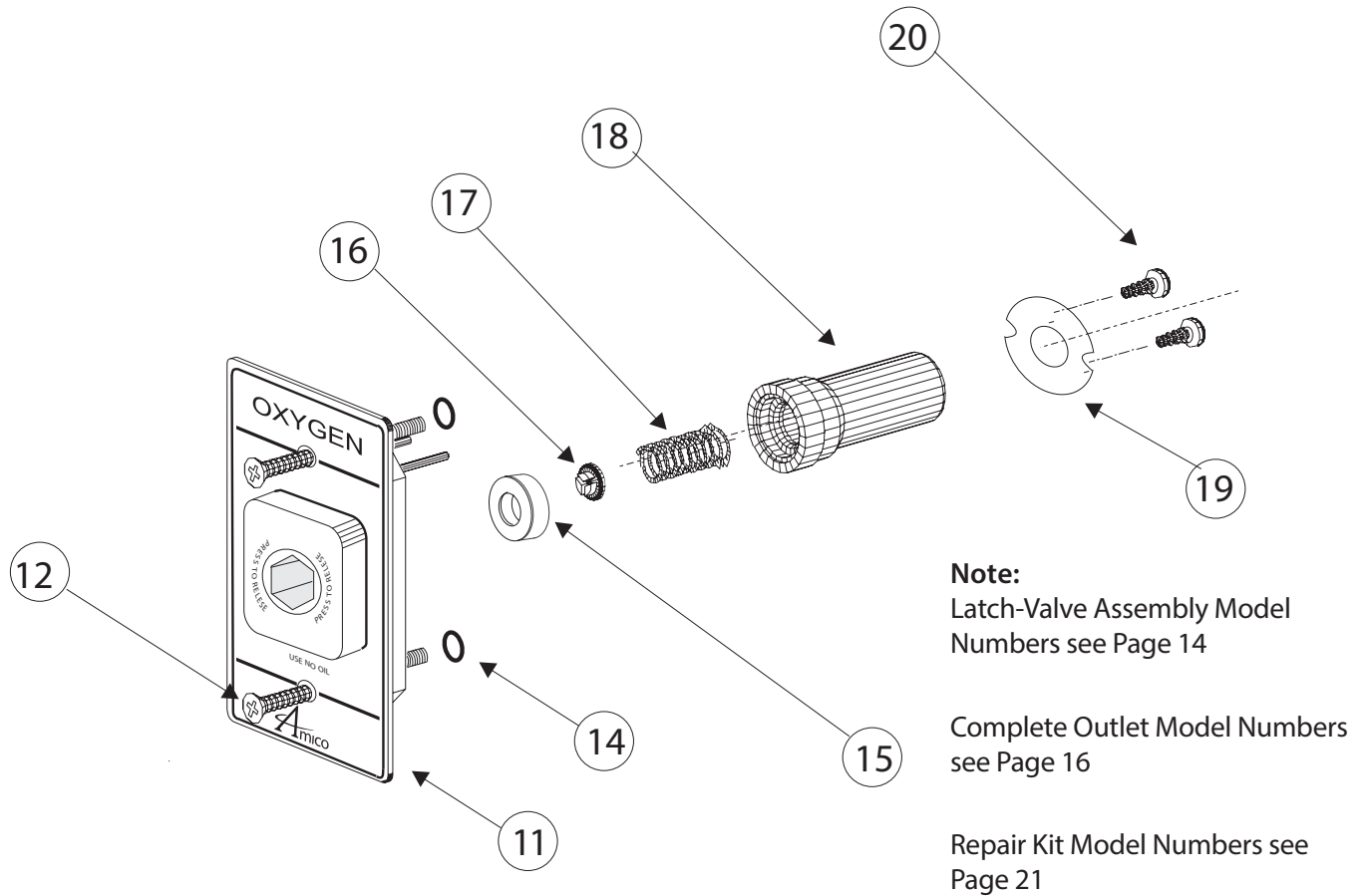
1. Unscrew the two retaining screws (12) until the Latch Valve Assembly (11) can be removed from the outlet.
2. Remove the four screws (25) holding the connector retaining plate (24) in place. Remove the plate.
3. Remove the connector (17) from the valve assembly.
4. Remove the U-spring (14), inspect for wear or damage, re-install the U-spring.
5. Remove the flat washer (15) and connector O-Ring (16) from the front of the connector. Inspect the items for wear or damage and replace the O-Ring seal (16).
6. Remove the retaining ring (23) using appropriate pliers. Remove the dust cap (18), dust cap spring (19), O-Ring seal (20), primary check valve (21) and spring (22). Inspect the items for wear or damage and replace if needed. Replace the O-Ring (20).
7. Re-install all internal components and lock in place with retaining ring (23). Insert the Connector (17) into the gas specific body. Check that the U-Spring (14), flat washer (15) and O-Ring (16) are in place. Re-install the connector retaining plate (24) and secure with four screws (25), do not overtighten.
8. Re-install the Latch Valve Assembly into the outlet. Coat the connector (17) with a thin coat of oxygen compatible silicone lubricant to aid insertion. Tighten down the retaining screws (12), DO NOT over tighten, as this could damage the Latch Valve.
9. Connect a gas specific adapter into the outlet. The connection should be smooth and the adapter should lock and remain in place allowing gas to flow. If not replace the entire Latch Valve Assembly (11).

# Latch Valve Assembly Chemetron (Compatible)



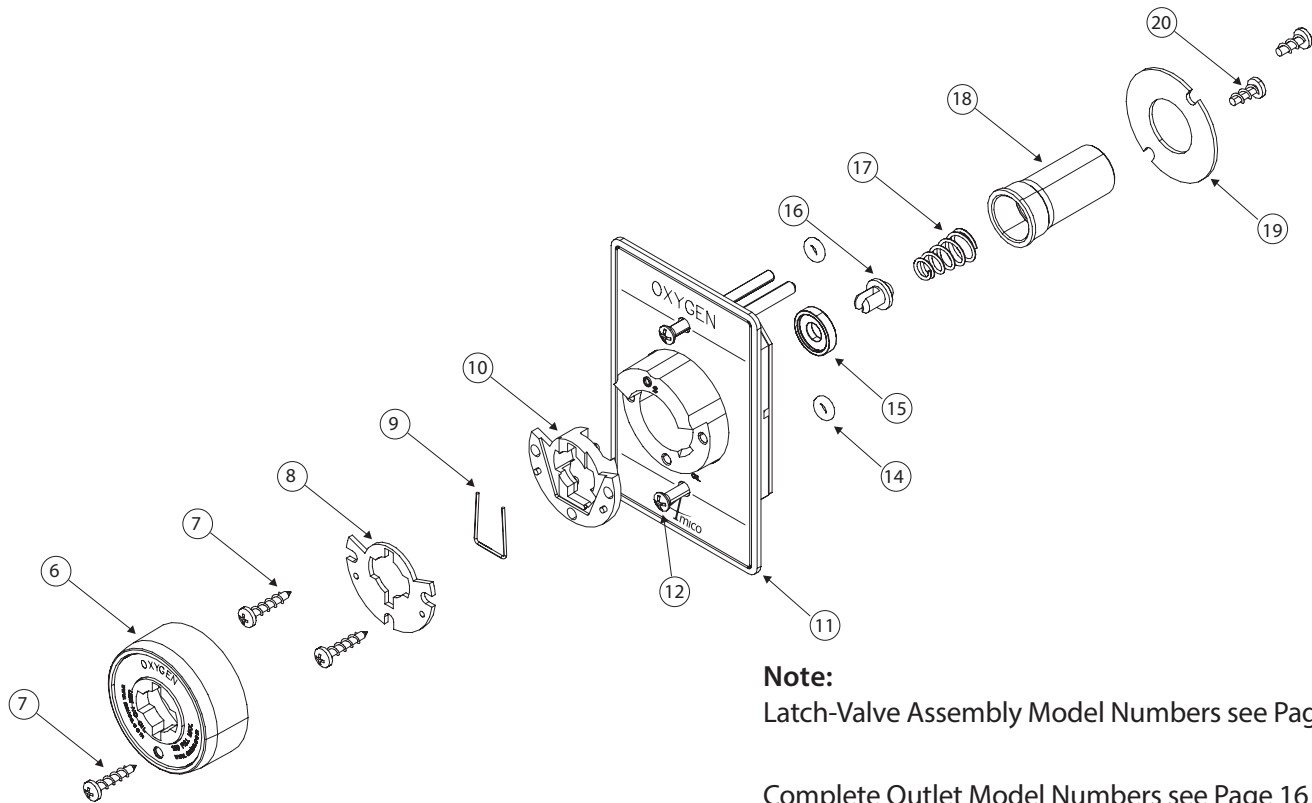
1. Unscrew the three retaining screws (12) until the Latch Valve Assembly (11) can be removed from the outlet.
2. Remove the four screws (25) holding the connector retaining plate (24) in place. Remove the plate.
3. Remove the connector (17) from the valve assembly.
4. Remove the connector O-Ring (16) from the front of the connector. Inspect the items for wear or damage and replace the O-Ring seal (16).
5. Remove the retaining ring (23) using appropriate pliers. Remove the dust cap (18), dust cap spring (19), O-Ring seal (20), primary check valve (21) and spring (22). Inspect the items for wear or damage and replace if needed. Replace the O-Ring (20).
6. Re-install all internal components and lock in place with retaining ring (23). Insert the Connector (17) into the gas specific body. Check that the O-Ring (16) is in place. Re-install the connector retaining plate (24) and secure with four screws (25), do not overtighten.
7. Re-install the Latch Valve Assembly into the outlet. Coat the connector (17), with a thin coat of oxygen compatible silicone lubricant to aid insertion. Tighten down the retaining screws (12), DO NOT over tighten, as this could damage the Latch Valve.
8. Connect a gas specific adapter into the outlet. The connection should be smooth and the adapter should lock and remain in place allowing gas to flow. If not replace the entire Latch Valve Assembly (11).

# Latch Valve Assembly Puritan-Bennett (Compatible)



1. Unscrew the two retaining screws (12) until the Latch Valve Assembly (11) can be removed from the outlet.
2. Remove the two screws (20), holding the round retaining ring (19) in place. Remove the plate.
3. Remove the gas connector (18) from the valve assembly.
4. Remove the Body Seal (15) and Poppet (16) from the front of the Gas Connector (18). Inspect the items for wear or damage and replace the Body Seal (15).
5. Remove the Gas or Vacuum Spring (17), to inspect for wear or damage. Re-install the Gas or Vacuum Spring.
6. Re-install all internal components into the Gas Connector (18). Check that the Gas or Vacuum Spring (17), Body Seal (15) and Poppet (16) are in place. Re-install the round retaining plate (19) and secure with two screws (20), do not overtighten.
7. Re-install the Latch Valve Assembly into the outlet. Coat the connector (18) with a thin coat of oxygen compatible silicone lubricant to aid insertion. Tighten down the retaining screws (12), DO NOT over tighten, as this could damage the Latch Valve.
8. Connect a gas specific adapter into the outlet. The connection should be smooth and the adapter should lock and remain in place allowing gas to flow. If not, replace the entire Latch Valve Assembly (11).

# Latch Valve Assembly Oxequip/MEDSTAR (Compatible)



**Note:**

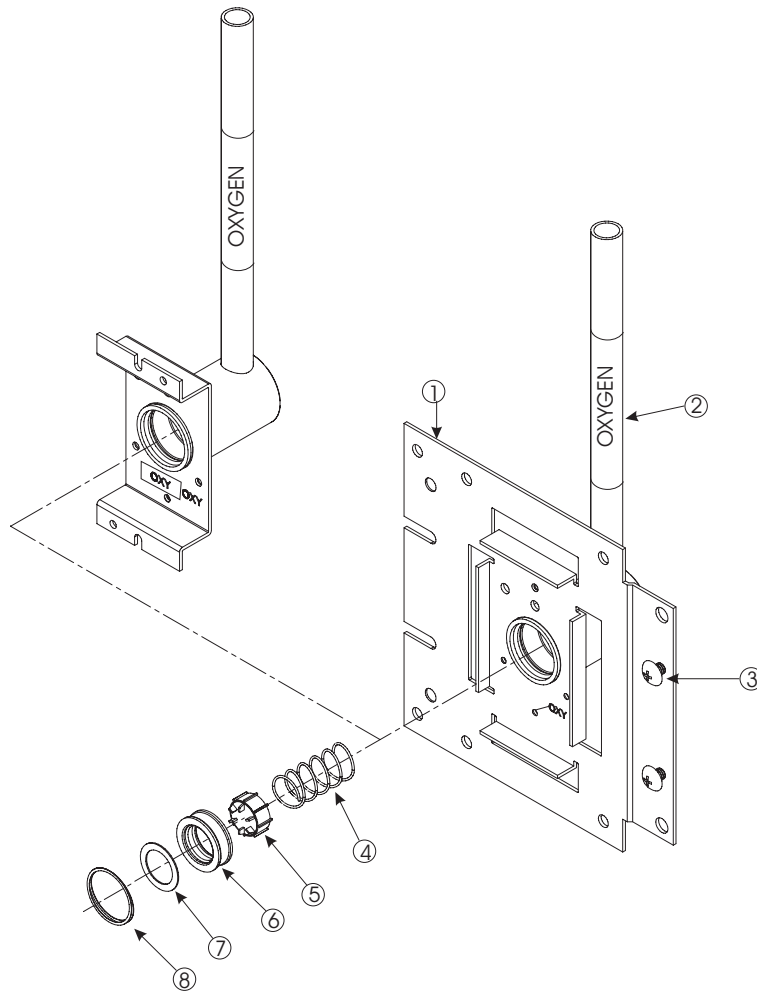
Latch-Valve Assembly Model Numbers see Page 14

Complete Outlet Model Numbers see Page 16

Repair Kit Model Numbers see Page 22

1. Unscrew the two retaining screws (12) until the Latch Valve Assembly (11) can be removed from the outlet.
2. **Locking Mechanism Repair**  
Unscrewing the first screw (7) and remove item (6). Then unscrew the second set of screws (7), this will give you access to items (8), (9) and (10). Inspect all three items for wear or damage, replace if needed.
3. **Outlet Gas Connector Repair.**  
While holding the round retaining ring (19) in place, remove the two screws (20). Remove the retaining ring (19) and gas connector (18). Then remove the Body Seal (15), the Poppet (16) and the Gas or Vacuum Spring (17). Inspect for wear or damage, replace components if needed.  
  
Re-install the Gas or Vacuum Spring (17), the Poppet (16) and the Body Seal (15) into the gas connector (18). Re-install gas connector (18) and retaining plate (19), secure with two screws (20). **DO NOT OVERTIGHTEN.**
4. Re-install the Latch Valve Assembly into the outlet. Coat the connector (18) with a thin coat of Oxygen compatible silicone lubricant to aid insertion. Tighten down the retaining screws (12), **DO NOT** over tighten, as this could damage the Latch Valve.
5. Connect a gas specific adapter into the outlet. The connection should be smooth and the adapter should lock and remain in place allowing gas to flow. If not, replace the entire Latch Valve Assembly (11).

# Rough-In Assembly Wall and Console



## Note:

Rough-in Assembly Model Numbers see Page 15

Complete Outlet Model Numbers see Page 16

Repair Kit Model Numbers see Page 23

## CAUTION: Ensure that the supply pressure is shut off before performing service.

Inside the "Rough-in assembly" is a secondary check valve whose function is to shut off gas flow when the "Latch-valve assembly" is removed. This seat/seal also prevents leakage around the latch valve connector. As the secondary seal is only a static seal, it will rarely need replacement. However, if the seat/seal does need replacement, follow the following procedure:

1. Ensure that no pressure exists in the line by depressing the secondary check valve (5).
2. Remove the retaining ring (8) from the inside of the outlet body. Use a small screwdriver to pull the end of the ring towards the center and then pull the ring up and out.
3. Remove the washer (7), seat/seal (6), secondary check valve (5) and secondary check valve spring (4). Inspect items for wear or damage and replace the seat/seal (6).
4. Re-install the spring (4), secondary check valve (5), seat/seal (6) and the washer (7). Insert the retaining ring (8) into the slot and ensure that the whole ring is seated properly.
5. Turn on the pressure and check for leaks. Re-install the "Latch Valve assembly" and perform the inspection and test on page 1.

# Model Numbers

## Latch-Valve Assemblies

Gas Service DISS Wall Latch-valve assembly:	English USA	English ISO	French ISO
Oxygen	O-FASW-DI-U-OXY	O-FASW-DI-E-OXY	O-FASW-DI-F-OXY
Medical Air	O-FASW-DI-U-AIR	O-FASW-DI-E-AIR	O-FASW-DI-F-AIR
MedVac	O-FASW-DI-U-VAC	O-FASW-DI-E-VAC	O-FASW-DI-F-VAC
Nitrous Oxide	O-FASW-DI-E-N2O	O-FASW-DI-E-N2O	O-FASW-DI-F-N2O
Nitrogen	O-FASW-DI-E-NIT	O-FASW-DI-E-NIT	O-FASW-DI-F-NIT
Carbon Dioxide	O-FASW-DI-E-CO2	O-FASW-DI-E-CO2	O-FASW-DI-F-CO2
WAGD/AGSS	O-FASW-DI-U-WAG	O-FASW-DI-E-AGS	O-FASW-DI-F-AGS

### DISS Console Latch Valve:

For DISS Console Latch Valve replace the “W” in the O-FASW-DI-L-GAS to “C”.

For example: USA DISS Oxygen = O-FASC-DI-U-OXY

### Ohmeda compatible Wall Latch Valve:

For Ohmeda compatible Wall Latch Valve replace the “DI” in the O-FASW-DI-L-GAS to “QD”.

For example: USA Ohmeda Vacuum = O-FASW-QD-U-VAC

### Ohmeda compatible Console Latch Valve:

For Ohmeda compatible Console Latch Valve replace the “W” in the O-FASW-QD-L-GAS to “C”.

For example: USA Oxygen = O-FASC-QD-U-OXY

### Chemetron compatible Latch Valve:

For Chemetron compatible Wall Latch Valve replace the “DI” in the O-FASW-DI-L-GAS to “CH”.

For example: Chemetron USA Vacuum = O-FASW-CH-U-VAC

### Chemetron compatible Console Latch Valve:

For Chemetron compatible Console Latch Valve replace the “W” in the O-FASW-CH-L-GAS to “C”.

For example: Chemetron USA Oxygen = O-FASC-CH-U-OXY

### Puritan-Bennett compatible Latch Valve:

For Puritan-Bennett compatible Wall Latch Valve replace the “DI” in the O-FASW-DI-L-GAS to “PB”.

For example: Puritan-Bennett USA Vacuum = O-FASW-PB-U-VAC

### Puritan-Bennett compatible Console Latch Valve:

For Puritan-Bennett compatible Console Latch Valve replace the “W” in the O-FASW-PB-L-GAS to “C”.

For example: Puritan-Bennett USA Oxygen = O-FASC-PB-U-OXY

# Model Numbers

## Oxequip Compatible Latch Valve:

For Oxequip compatible Wall Latch Valve replace the "DI" in the O-FASW-DI-L-GAS to "OX".

For Example: Oxequip USA Oxygen = O-FASW-OX-U-OXY

## Oxequip Compatible Console Latch Valve:

For Oxequip compatible Console Latch Valve replace the "W" in the O-FASW-OX-L-GAS to "C".

For Example: Oxequip USA Oxygen = O-FASC-OX-U-OXY

## Rough-In Assemblies

Gas Service Wall Rough-In:	English USA	English ISO	French ISO
Oxygen	O-BAKW-U-OXY	O-BAKW-E-OXY	O-BAKW-E-OXY
Medical Air	O-BAKW-U-AIR	O-BAKW-E-AIR	O-BAKW-E-AIR
MedVac	O-BAKW-U-VAC	O-BAKW-E-VAC	O-BAKW-E-VAC
Nitrous Oxide	O-BAKW-E-N2O	O-BAKW-E-N2O	O-BAKW-E-N2O
Nitrogen	O-BAKW-E-NIT	O-BAKW-E-NIT	O-BAKW-E-NIT
Carbon Dioxide	O-BAKW-E-CO2	O-BAKW-E-CO2	O-BAKW-E-CO2
WAGD/AGSS	O-BAKW-U-WAG	O-BAKW-E-AGS	O-BAKW-E-AGS

## Console Rough-In:

For Console Rough-in replace the "W" in the O-BAKW-L-GAS to "CON".

For example: USA Oxygen = O-BAKCON-U-OXY

## Ceiling Rough-In:

For Ceiling Rough-in replace the "W" in the O-BAKW-L-GAS to "CEI".

For example: USA Nitrogen = O-BAKCEI-E-NIT

## Ceiling Column Rough-In:

For Ceiling Column Rough-in replace the "W" in the O-BAKW-L-GAS to "CCOL".

For example: USA Nitrous Oxide = O-BAKCCOL-E-N2O

# Model Numbers

## Complete Outlets

Gas Service DISS Wall:	English USA	English ISO	French ISO
Oxygen	O-DISWAL-U-OXY	O-DISWAL-E-OXY	O-DISWAL-F-OXY
Medical Air	O-DISWAL-U-AIR	O-DISWAL-E-AIR	O-DISWAL-F-AIR
MedVac	O-DISWAL-U-VAC	O-DISWAL-E-VAC	O-DISWAL-F-VAC
Nitrous Oxide	O-DISWAL-E-N2O	O-DISWAL-E-N2O	O-DISWAL-F-N2O
Nitrogen *	O-DISWAL-E-NIT	O-DISWAL-E-NIT	O-DISWAL-F-NIT
Carbon Dioxide **	O-DISWAL-E-CO2	O-DISWAL-E-CO2	O-DISWAL-F-CO2
WAGD/AGSS	O-DISWAL-U-WAG	O-DISWAL-E-AGS	O-DISWAL-F-AGS

\* DISS Only

\*\* Not Available for Puritan-Bennett

### DISS Console Outlet:

For DISS Console outlet replace the "WAL" in the O-DISWAL-L-GAS to "CON".

For example: DISS Console USA Nitrogen = O-DISCON-E-NIT

### DISS Ceiling Outlet:

For DISS Ceiling outlet replace the "WAL" in the O-DISWAL-L-GAS to "CEI".

For example: DISS Ceiling USA Nitrogen = O-DISCEI-E-NIT

### DISS Ceiling Column Outlet:

For DISS Ceiling Column outlet replace the "WAL" in the O-DISWAL-L-GAS to "CCOL".

For example: DISS Ceiling Column USA Vacuum = O-DISCCOL-U-VAC

### Ohmeda compatible Outlet:

For Ohmeda compatible outlet replace the "DIS" in any of the above examples, O-DISWAL-L-GAS to "QD".

For example: Ohmeda compatible Wall USA Oxygen = O-QDWAL-U-OXY

### Chemetron compatible Outlet:

For Chemetron compatible outlet replace the "DIS" in any of the above examples, O-DISWAL-L-GAS to "CH".

For example: Chemetron compatible Console USA Oxygen = O-CHCON-U-OXY

### Puritan-Bennett compatible Outlet:

For Puritan-Bennett compatible outlet replace the "DIS" in any of the above examples, O-DISWAL-L-GAS to "PB".

For example: Puritan-Bennett compatible Console USA Oxygen = O-PBCON-U-OXY

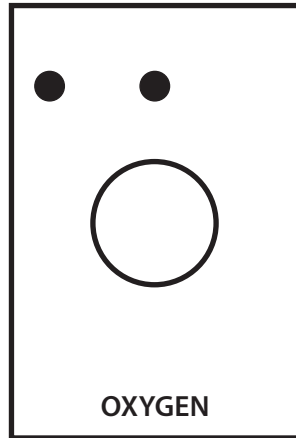
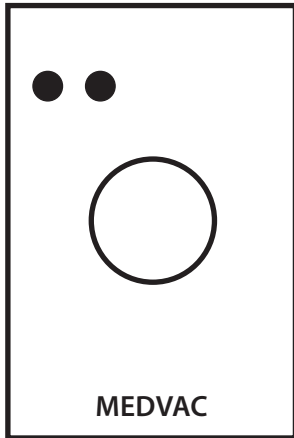
### Oxequip Compatible Outlet:

For Oxequip compatible outlet replace the "DIS" in any of the above examples, O-DISWAL-L-GAS to "OX".

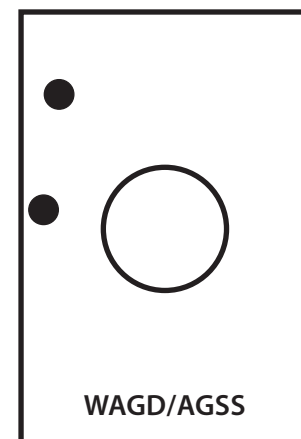
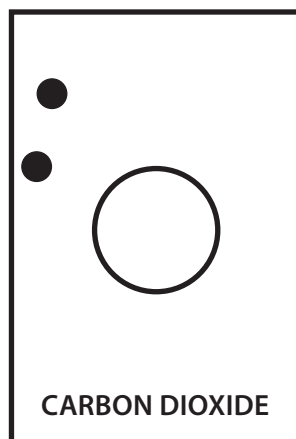
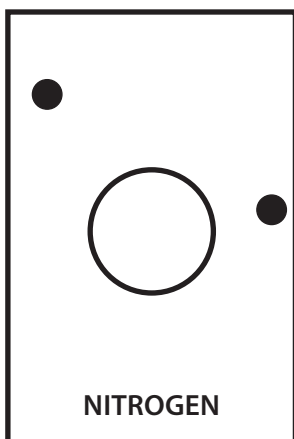
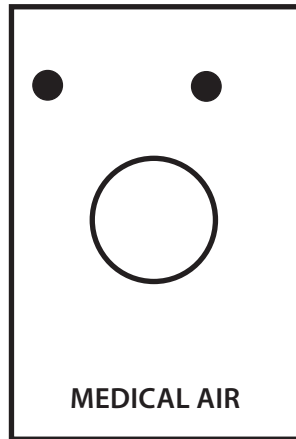
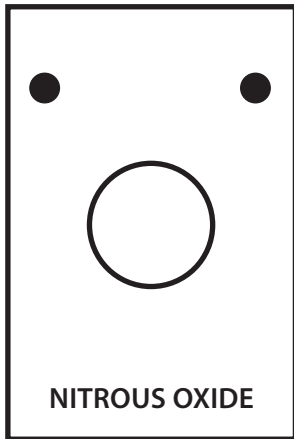
For Example: Oxequip compatible Wall USA Oxygen = O-OXWAL-U-OXY



# Gas Indexing

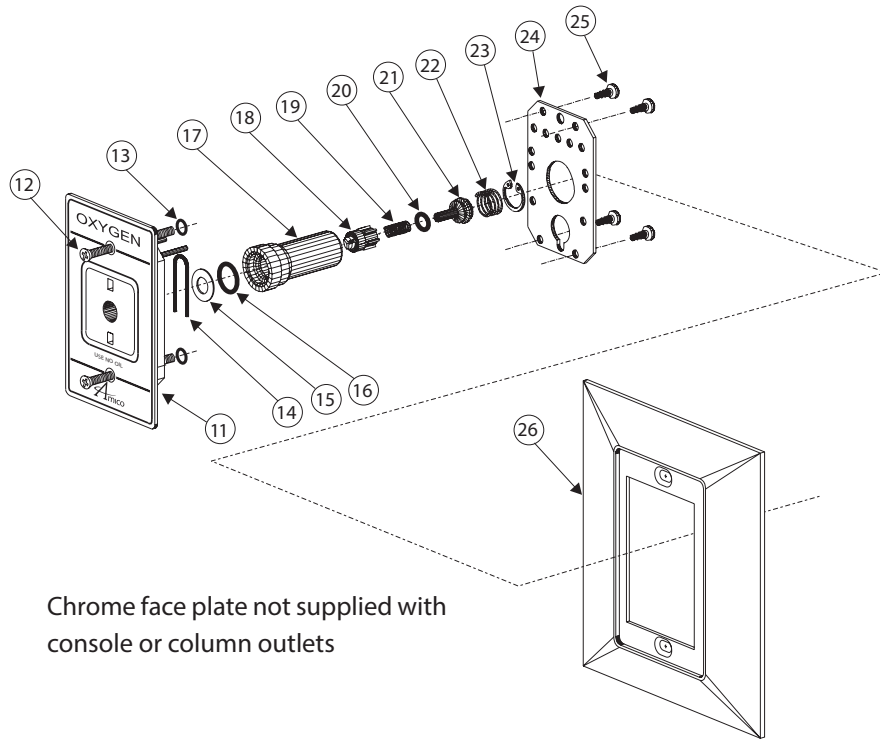


As seen from the front of the  
"Rough-In Assemblies"



# Replacement Components

## Latch Valve Assembly Ohmeda Compatible



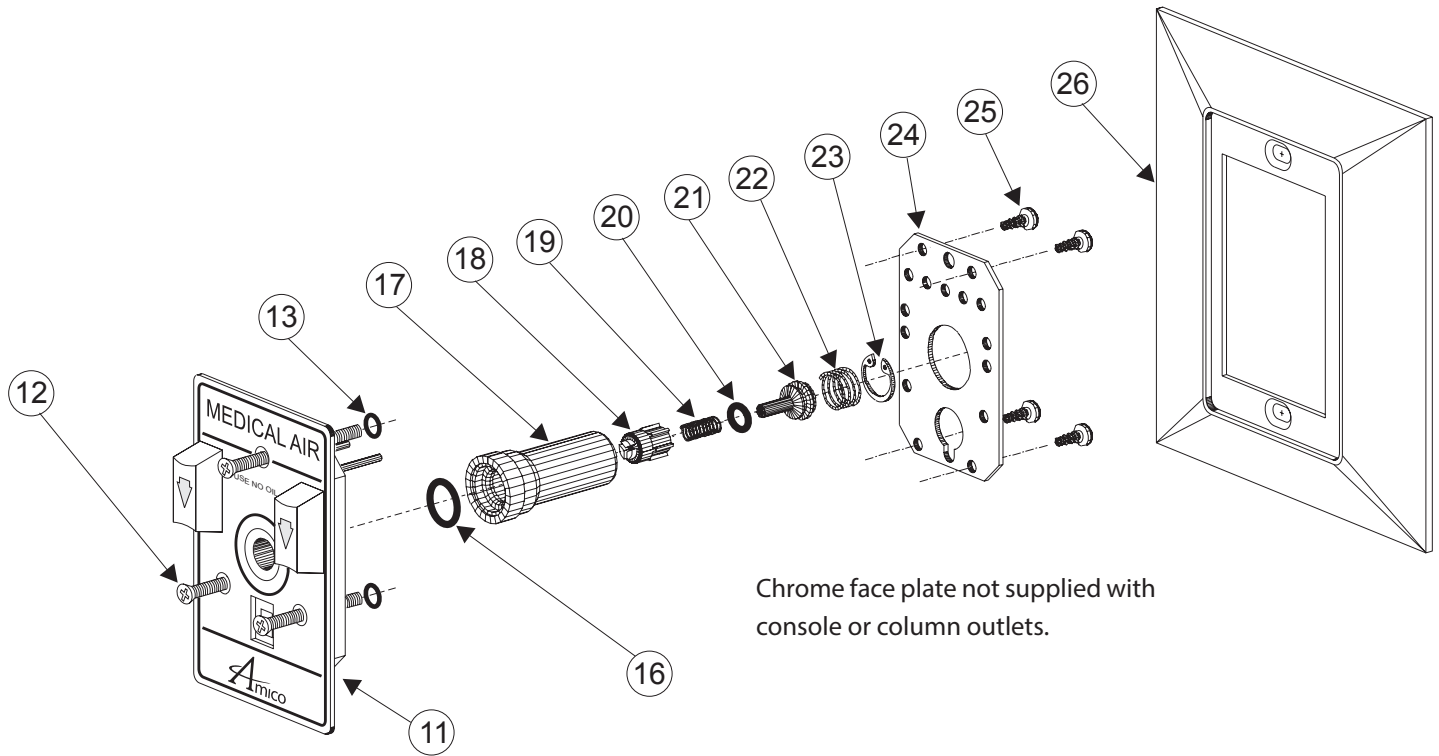
Chrome face plate not supplied with console or column outlets

Item	Description
11	Ohmeda Latch-valve
12	Screw (2 Required)
13	O-Ring (2 Required)
14	Gas Connector U-Spring *
15	Flat Washer *
16	Gas Connector O-Ring *
17	Gas Connector
18	Primary Dust Cap
19	Primary Dust Cap Spring *
20	Primary Check Valve O-Ring *
21	Primary Check Valve *
22a	Primary Check Valve Spring *
22b	Primary Check Valve Spring-Vac *
23	C-Clip Primary Check Valve *
24	Connector Retaining Plate
25	Retaining Plate Screws (4 Required)
26	Chrome Face Plate

Above parts with an "\*" are found in repair kit: O-RK-LVA-QD, not sold individually.

# Replacement Components

## Latch Valve Assembly Chemetron Compatible



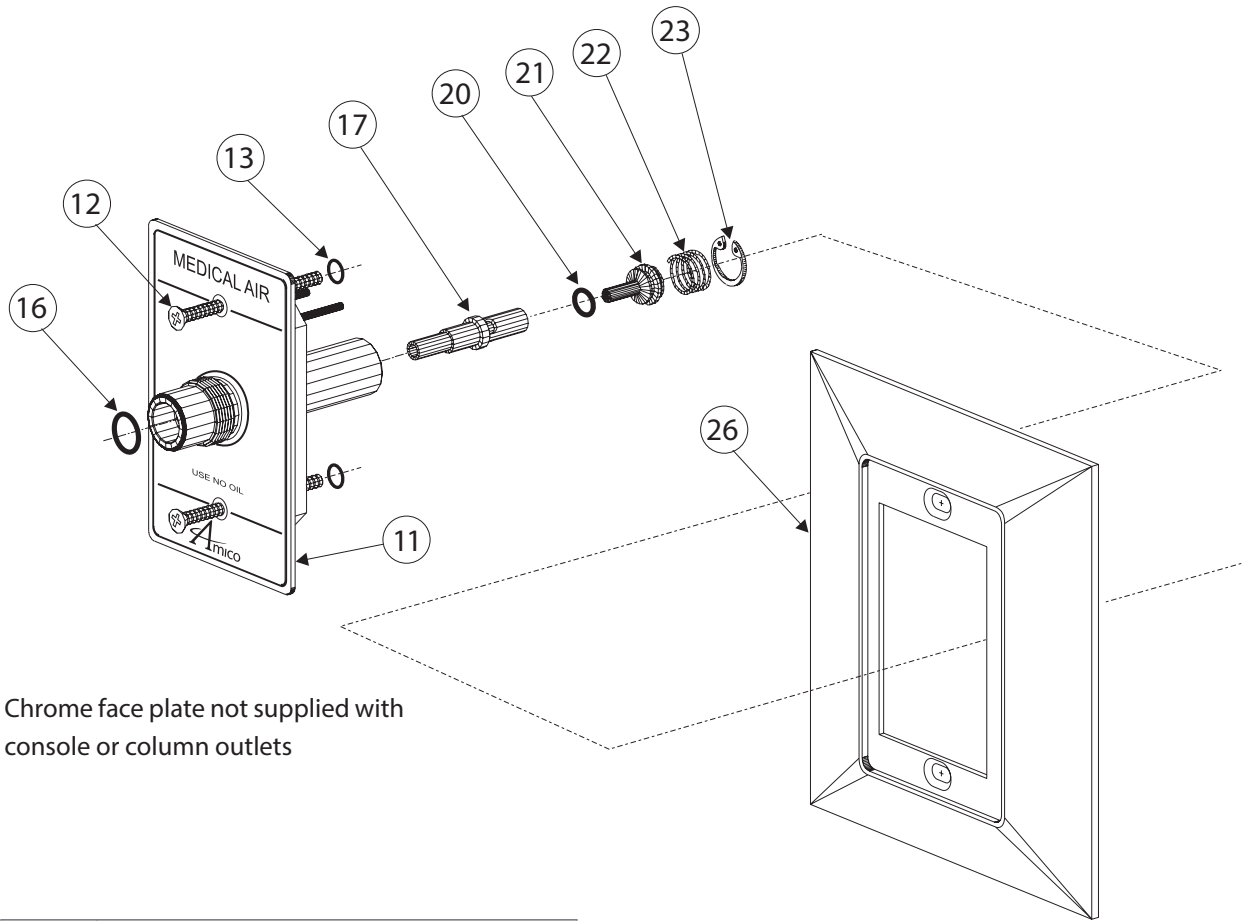
Chrome face plate not supplied with console or column outlets.

Item	Description
11	Chemetron Latch-Valve
12	Screw (3 Required)
13	O-Ring (3 Required)
16	Gas Connector O-Ring *
17	Gas Connector
18	Primary Dust Cap
19	Primary Dust Cap Spring *
20	Primary Check Valve O-Ring *
21	Primary Check Valve *
22a	Primary Check Valve Spring *
22b	Primary Check Valve Spring-Vac *
23	C-Clip Primary Check Valve *
24	Connector Retaining Plate
25	Retaining Plate Screws (4 Required)
26	Chrome Face Plate

Above parts with an "\*" are found in repair kit: O-RK-LVA-QD, not sold individually.

# Replacement Components

## Latch Valve Assembly DISS



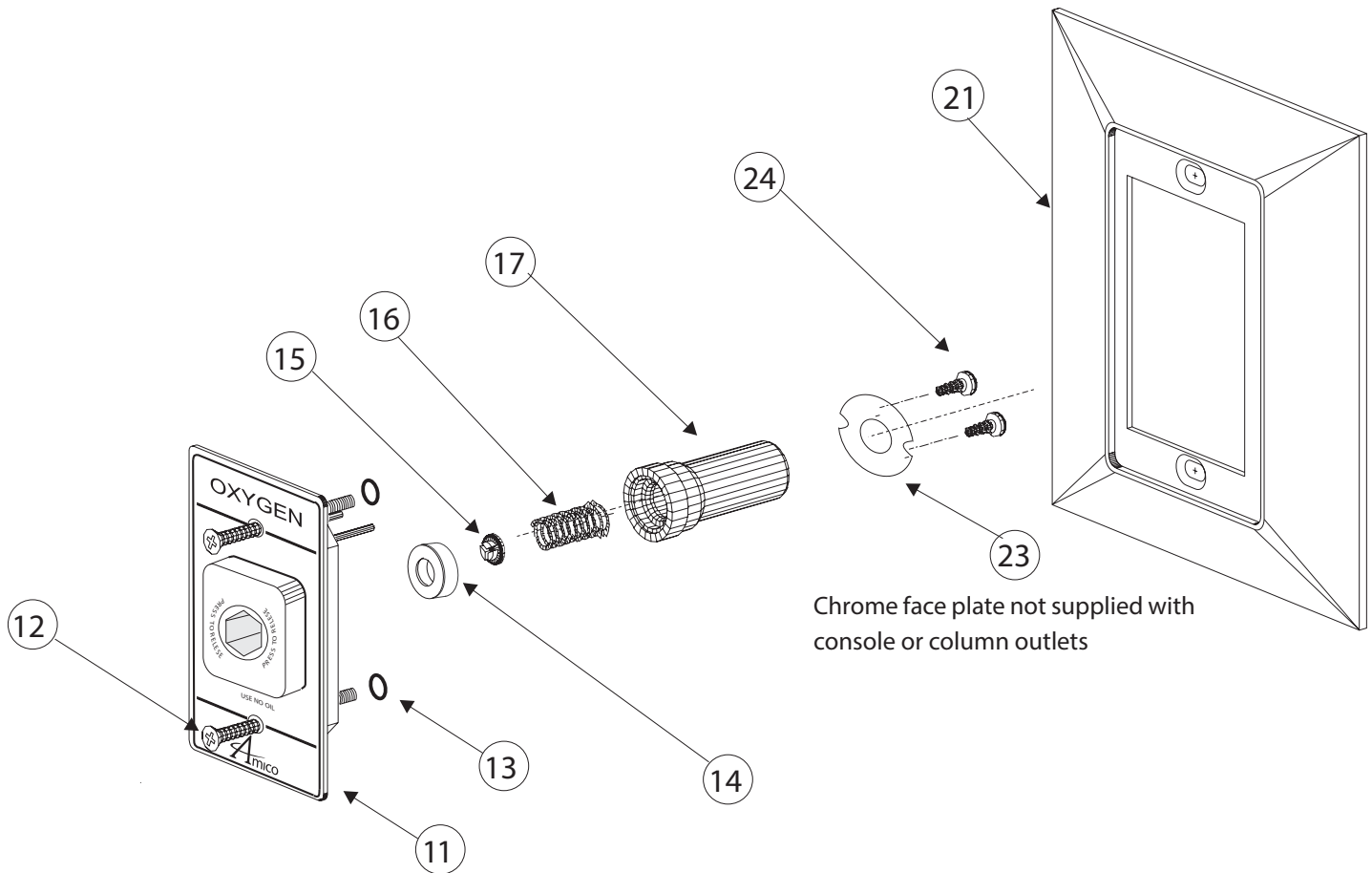
Chrome face plate not supplied with console or column outlets

Item	Description
11	DISS Latch-Valve
12	Screw (2 Required)
13	O-Ring (2 Required)
16a	Adapter O-Ring Nit *
16b	Adapter O-Ring Vac *
16c	Adapter O-Ring N2O *
17a	Valve Stem DISS Gas
17b	Valve Stem DISS Oxygen
17c	Valve Stem DISS Vac & WAGD/AGSS
20	Primary Check Valve O-Ring *
21	Primary Check Valve *
22	Primary Check Valve Spring *
23	C-Clip Primary Check Valve *
26	Chrome Face Plate

Above parts with an "\*" are found in repair kit: O-RK-LVA-DIS, not sold individually.

# Replacement Components

## Latch Valve Assembly Puritan-Bennett Compatible

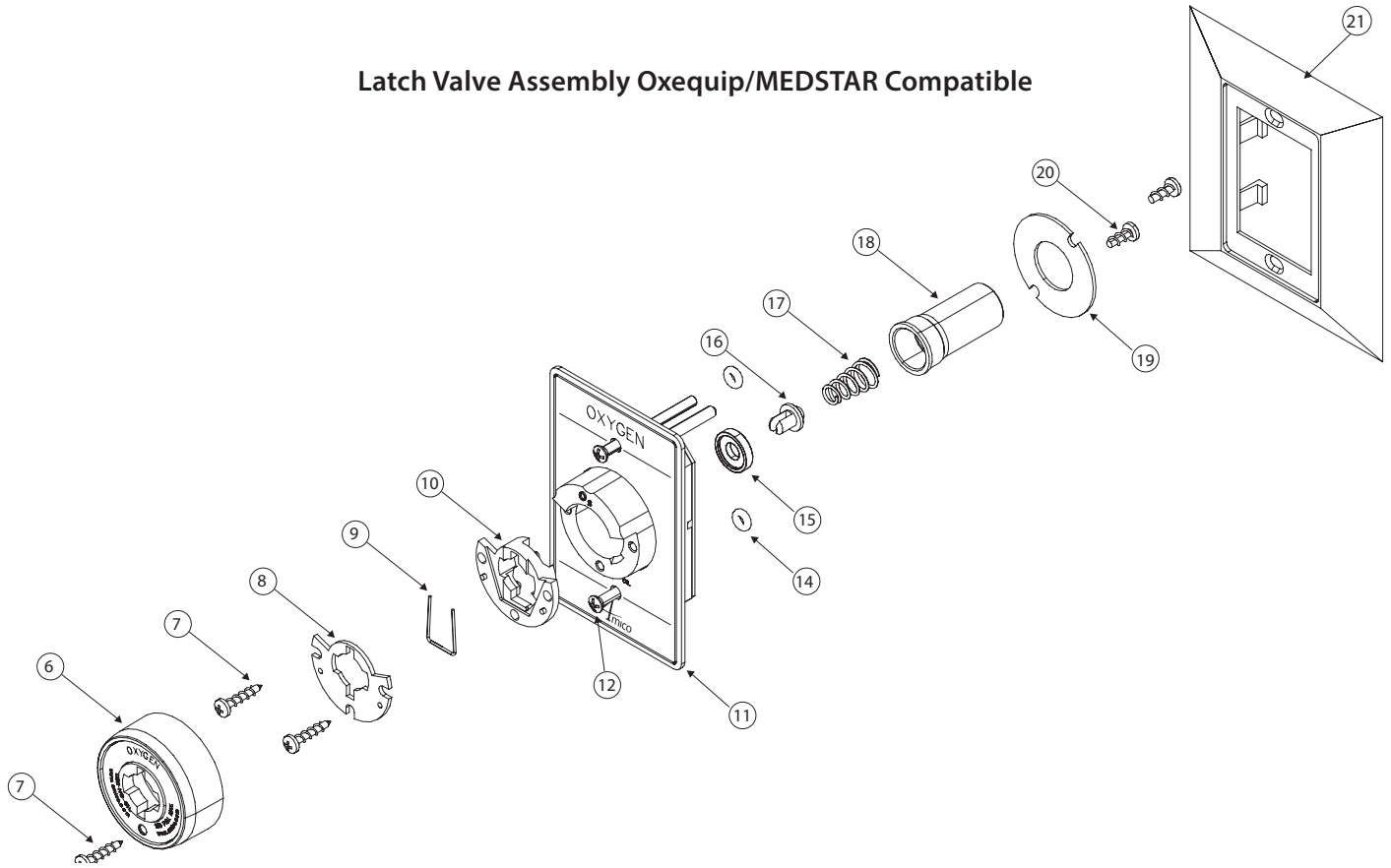


Item	Description
11	Puritan-Bennett Latch-Valve
12	Mounting Screw (2 Required)
13	O-Ring (2 Required)
14	Body Seal *
15	Poppet For Body *
16a	Spring For All Gases (Except Vac.) *
16b	Spring For Vacuum *
17	Gas Connector
21	Chrome Face Plate
23	Retaining Ring
24	Retaining Ring Screws (2 Required)

Above parts with an "\*" are found in repair kit: O-RK-LVA-PB, not sold individually.

# Replacement Components

## Latch Valve Assembly Oxequip/MEDSTAR Compatible



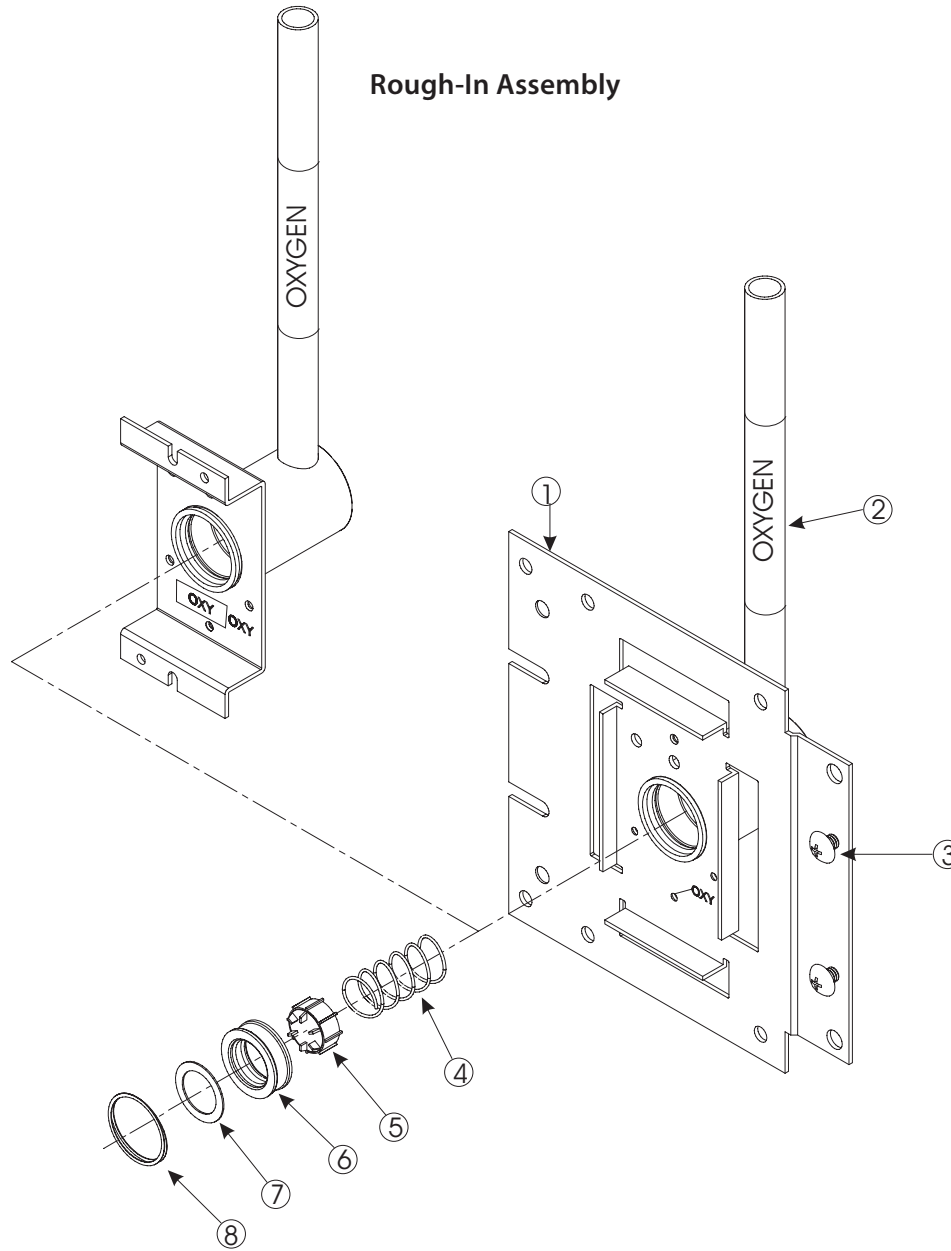
Item	Description
6	Plastic Trimcap
7	#6 x 5/8" (15.9 mm) Screws
8	Cover Guide Plate **
9	U-Spring **
10	Cam Guide Plate **
11	Oxequip Latch-valve
12	Mounting Screw (2 Required)
14	O-Ring (2 Required)
15	Body Seal *
16	Poppet For Body *
17a	Spring For All gases (Except Vac) *
17b	Spring For Vacuum *
18	Gas Connector
19	Retaining Ring
20	Retaining Ring Screws (2 Required)
21	Chrome Face Plate

Above parts with "\*" are found in repair kit: O-RK-LVA-OX-GC, not sold individually.

Above parts with "\*\*" are found in repair kit: O-RK-LVA-OX-LM, not sold individually.

Both O-RK-LVA-OX-GC and O-RK-LVA-OX-LM can be ordered as one kit using O-RK-LVA-OX

# Replacement Components



Item	Description
1	Rough-In Assembly
2	Gas Label **
3	Screw (2 Required)
4	Secondary Check Valve Spring *
5	Secondary Check Valve *
6	Seat/Seal *
7	Washer *
8	Retaining Ring *

Above parts with an "\*" are found in repair kit: O-RK-BAK, not sold individually.

\*\* "L" refers to language (U = For USA / E = For ISO)

# www.amico.com

Amico Corporation | [www.amico.com](http://www.amico.com)

85 Fulton Way, Richmond Hill  
Ontario, L4B 2N4, Canada

Toll Free Tel: 1.877.462.6426  
Toll Free Fax: 1.866.440.4986  
Tel: 905.764.0800  
Fax: 905.764.0862  
Email: [info@amico.com](mailto:info@amico.com)



AP-INSTAL-MAINT-MEDGAS-OUTLETS 11.11.2015