



WESTERN


High Purity Gas Equipment

Automatic Changeover Station 3000 Series

From 350 up to 3000 psig



WESTERN

Innovative solutions for all your gas  delivery needs



Automatic Changeover Station Technical Specifications

3000 Series

DESCRIPTION

The 3000 Series Automatic Changeover Stations are designed to provide a continuous supply of high purity gases. The system automatically changes from a depleted bank of cylinders in service to the full reserve bank without an interruption of gas supply. A simple rotation of the primary bank knob resets the unit, once the depleted banks of cylinders has been replaced. The standard outlet regulator maintains a constant line pressure, even during the changeover process. The optional remote alarm box indicates when the pressure of each bank is either normal or low.

STANDARD FEATURES

- High Purity** - Equipment components are designed, cleaned, and built to maintain gas purity
- Wide Selection of Regulators and Hoses** - Customized equipment to suit any application.
- Mounting Panel** - Professional look, easy installation
- Integral Check Valve in the Flexible Hoses** - Prevents gas from cascading to the empty cylinders during cylinder changeouts
- Optional Remote Alarm** - Provides audible and visual indication when a bank of cylinders is depleted
- Optional Purge Valve** - Evacuates impurities from the system

STANDARD SPECIFICATIONS AND MATERIALS OF CONSTRUCTION

Model	CS3000-B1	CS3000-S1
	Brass Construction	All Stainless Steel Construction
Maximum Inlet Pressure	3000 psig	3000 psig
Outlet Pressure Range	See Selection Matrix	See Selection Matrix
Inlet Connection Fitting	Gas Related Brass	Type 316 Stainless Steel
Gas Service Outlet Connection	CGA Adaptor 1/4" Compression, S/S	3/8" Compression S/S 1/4" Compression, S/S
Purge Valve Outlet Connection	1/4" F.NPT, Brass	1/4" F.NPT, S/S
Operating Temperature	-40°F to 140°F	-40°F to 140°F
Pressure Gauge Dial & Material	2"-Dial, Brass	2"-Dial, Type 316 Stainless Steel
Fitting Size & Material	1/4" NPS, Brass	1/4" NPS, Type 316 Stainless Steel
Pressure Regulator		
Body	Brass Barstock	316L Stainless Steel Barstock
Diaphragm	316L Stainless Steel	316L Stainless Steel
Filter	10-Micron Nickel-Plated Sintered Bronze	10-micron Sintered Stainless Steel
Seats	PTFE teflon	PTFE teflon
Seals	PTFE teflon	PTFE teflon

FLEXIBLE HOSE LENGTH

When connected to:	Hose length
Cylinders	36 inches
Liquid cylinders (Gas use)	60 inches
Clusters (bulk packs)	96 inches

HOW TO ORDER - PART NUMBER MATRIX

CS3XXX							
Series (inlet pressure)	Fluid	Outlet Pressure	Regulator	Left Bank	Right Bank	Flexible Hoses	Options
Standard Series	<input type="checkbox"/> Air =Air	Standard Ranges	<input type="checkbox"/> B1 =Brass	No. of Cylinders		<input type="checkbox"/> NH4 =Thermoplastic	<input type="checkbox"/> RA2 =Standard
<input type="checkbox"/> CS375 =375 psig	<input type="checkbox"/> N2 =Nitrogen	(in psig)	Regulators	(per side)		1/4" I.D. 5000 psig	Alarm
<input type="checkbox"/> CS3000 =3000 psig	<input type="checkbox"/> He =Helium	<input type="checkbox"/> 15 = 0-15				<input type="checkbox"/> TH4 =Teflon 1/4" I.D.	<input type="checkbox"/> RA2 =Hazardous
<input type="checkbox"/> CS3350 =	<input type="checkbox"/> H2 =Hydrogen	<input type="checkbox"/> 50 = 0-50	<input type="checkbox"/> S1 =Stainless			3000 psig	(EP) Location
Left 3000 psig	<input type="checkbox"/> Ar =Argon	<input type="checkbox"/> 125 = 0-125	Steel			<input type="checkbox"/> SH4 =Stainless Steel	Alarm
Right 350 psig	<input type="checkbox"/> O2 =Oxygen	<input type="checkbox"/> 150 = 0-150	Regulators			1/4" I.D. 3000 psig	<input type="checkbox"/> VV =Vent
	<input type="checkbox"/> C ₂ H ₂ =Acetylene	<input type="checkbox"/> 250 = 0-250				<input type="checkbox"/> ASH4=All Stainless Steel	Valve
	Other: Please	<input type="checkbox"/> 500 = 0-500				1/4" I.D. 3000 psig	<input type="checkbox"/> HV =Header
	Specify	Other: Please					Valve
		Specify					

WHEN A STAINLESS STEEL REGULATORS ARE SELECTED, ALL FITTINGS, GAUGES AND PRESSURE SWITCHES COME AUTOMATICALLY IN STAINLESS STEEL

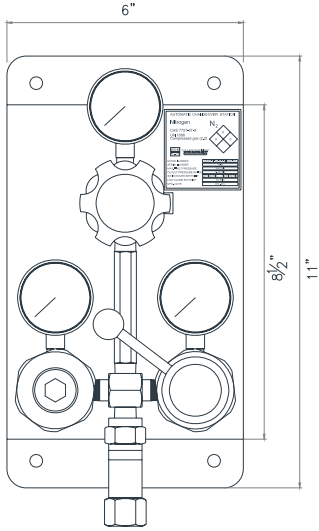


Auomatic Changeover Station Dimensional Specifications

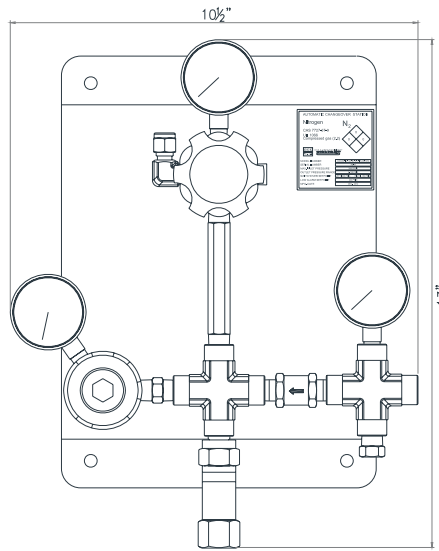
3000
Series

DIMENSIONAL DRAWING

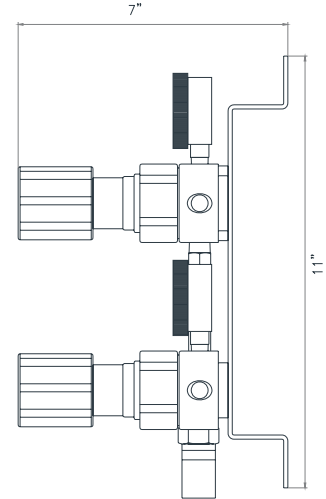
Approximate Dimensions



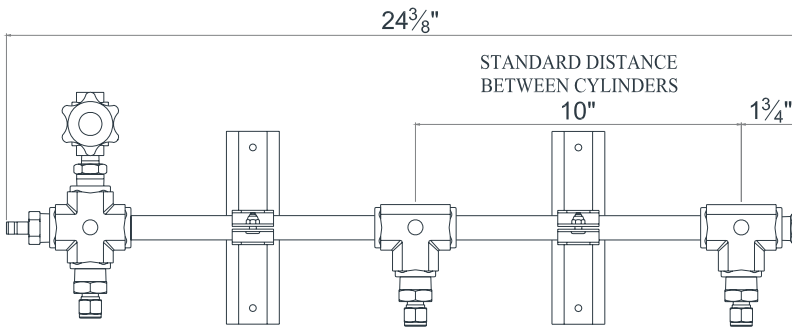
MODEL: CS3000



MODEL: CS3350



SIDE VIEW



Cylinder Header
(available up to 6 cylinders)



Remote Alarm Box (RA2)
(refer to the accessory section of
this brochure for details)



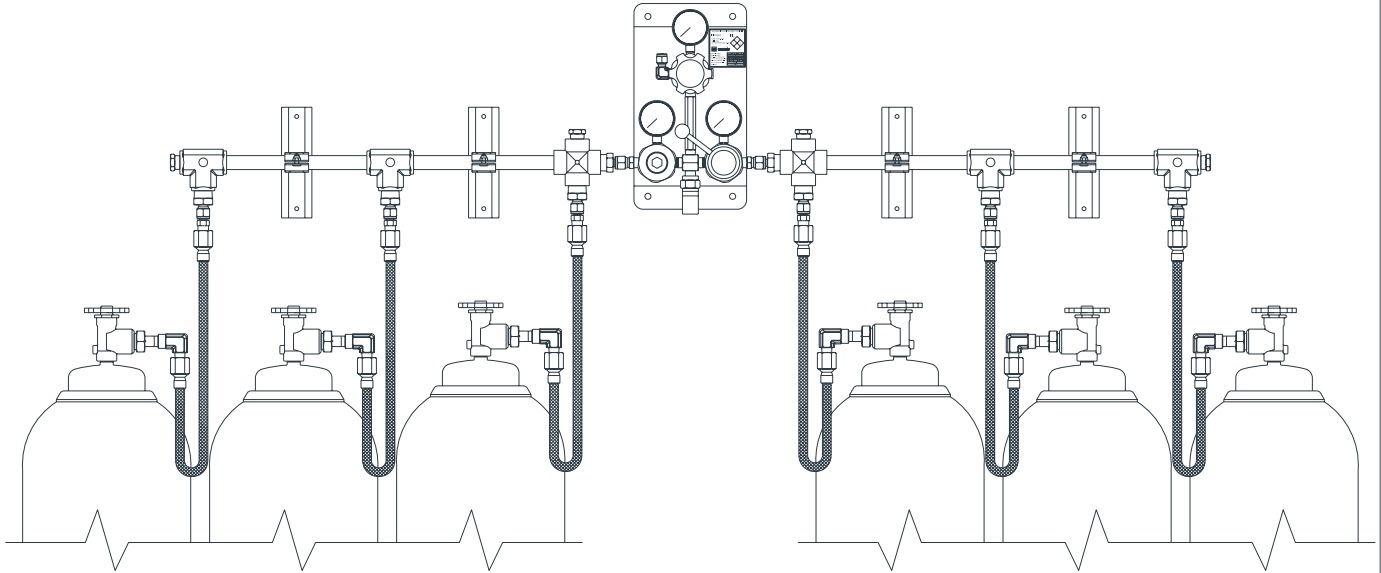
Standard Flexible Hose Length



Automatic Changeover Station Technical Specifications

3000
Series

CS3000

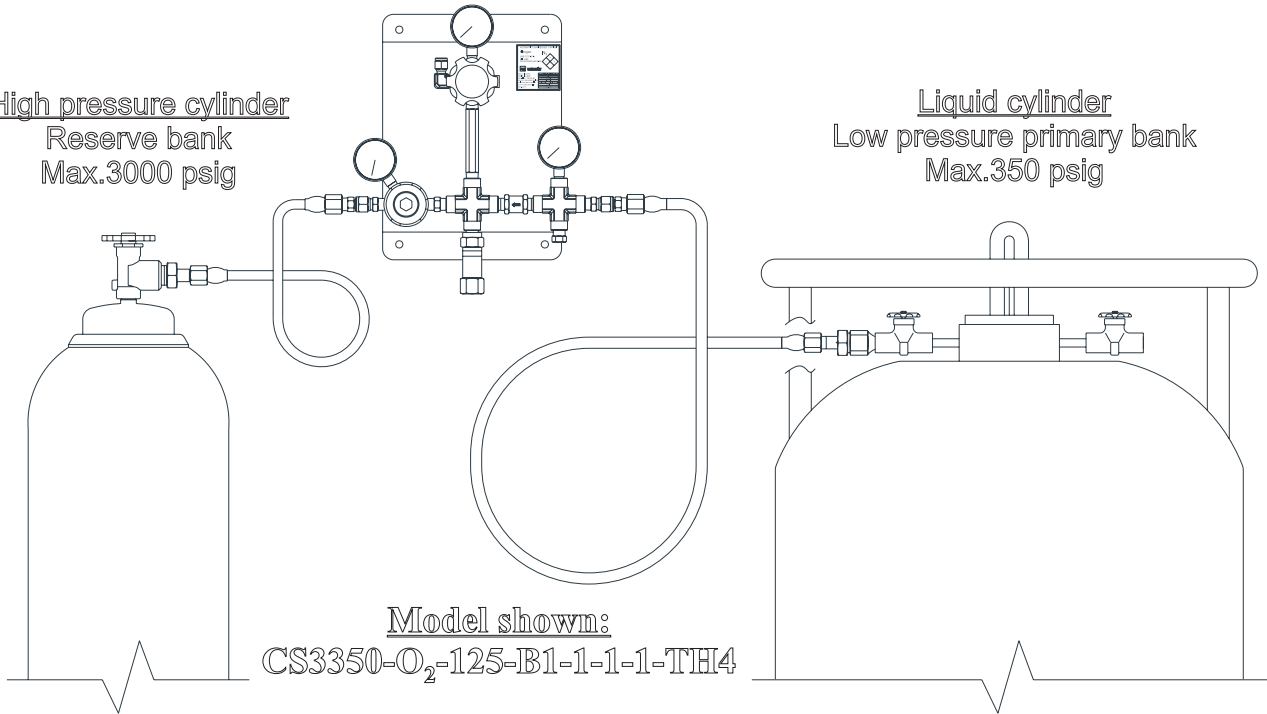


Model shown:
CS3000-N₂-150-S1-3-3-N-SH4(36)

CS3350

High pressure cylinder
Reserve bank
Max.3000 psig

Liquid cylinder
Low pressure primary bank
Max.350 psig



Model shown:
CS3350-O₂-125-B1-1-1-1-TH4

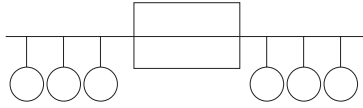


Automatic Changeover Station Technical Specifications

**3000
Series**

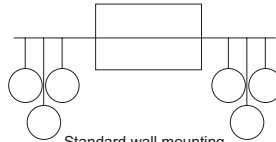
HEADER CONFIGURATION

"N" STANDARD CONFIGURATION



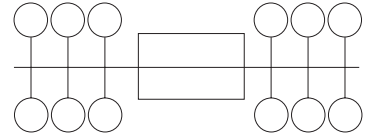
Standard wall mounting
Floor stand optional
10" center

"S" SHORT CONFIGURATION



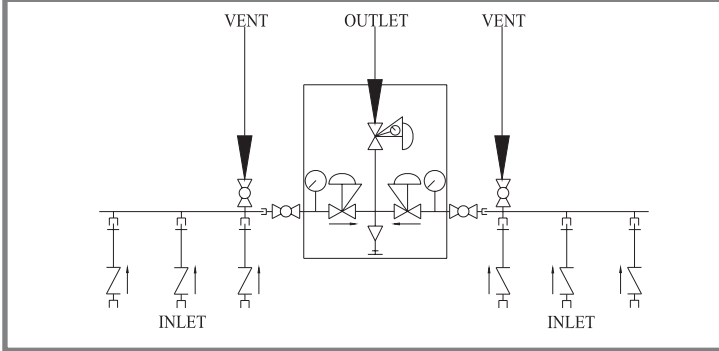
Standard wall mounting
Floor stand optional
5" centers

"C" CROSSOVER

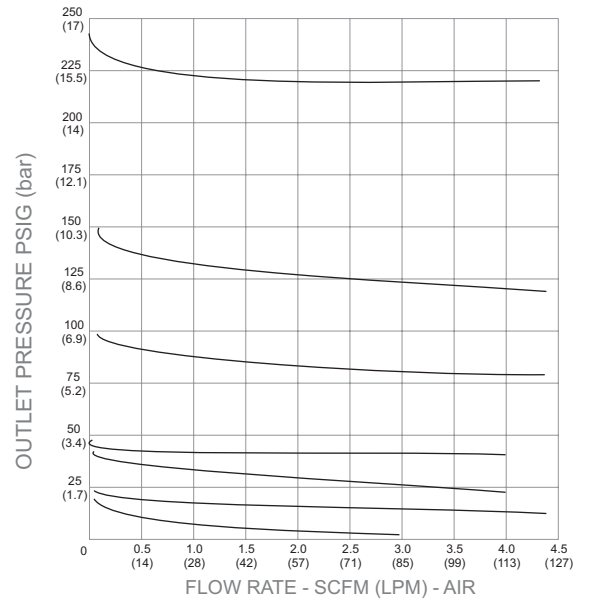


Floor stand standard
Wall mounting optional (sketch required)
10" center

FLOW SCHEMATIC



FLOW CHART



**WESTERN
INNOVATOR**

875 Bassett Road
Westlake, Ohio, 44145