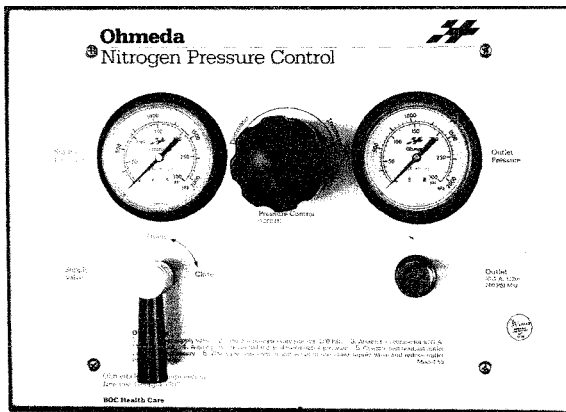


The nitrogen control panel retrofit kit is designed to update old style Ohmeda control panels sold prior to 1996 (0221-5126-800). The kit contains all required parts and can be installed with no modifications to the old control panel's rough-in box. Brazing or otherwise disturbing the wall is not required.



Old Ohmeda Panel



New BeaconMedaes Retrofit Panel

### Definition of Statements

Statements in these instructions preceded by the following words are of special significance:

**▲ WARNING:** Means there is a possibility of injury or death to yourself or others.

**▲ CAUTION:** Means there is a possibility of damage to the unit or other property.

**NOTE:** Indicates points of particular interest for more efficient and convenient operation.

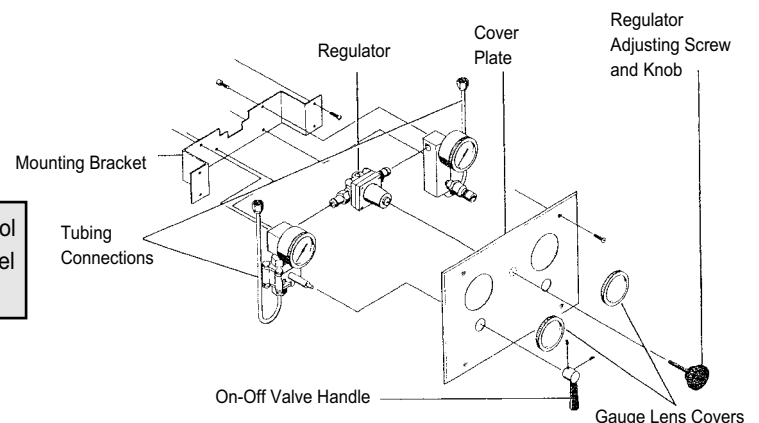
### Tools and Supplies Needed

- Phillips screwdriver
- 5/8" open end wrench
- Leak detector solution
- Allen wrench set

**▲ CAUTION:** Prior to removal and installation of control panels, verify zone valve is shut off and line to control panel is not pressurized.

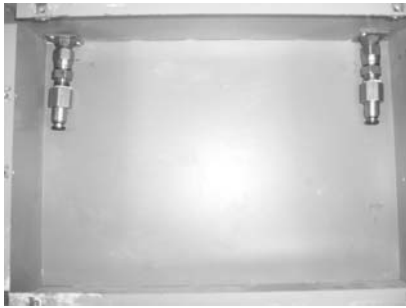
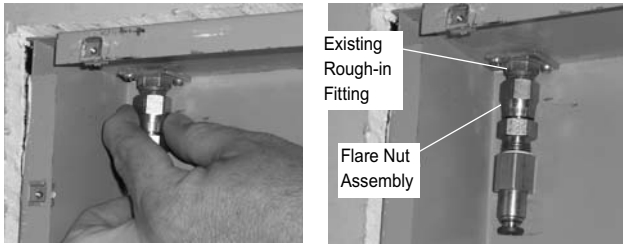
### Removal of Old Panel

1. Loosen set screws of on-off valve handle and remove handle.
2. Remove regulator adjusting screw and knob by unscrewing from regulator.
3. Unscrew lens covers from gauges and remove.
4. Remove screws from cover plate. Remove cover plate. Discard.
5. Disconnect both tubing connections at top of box.
6. Remove screws in mounting brackets and remove control panel manifold from box. Discard.

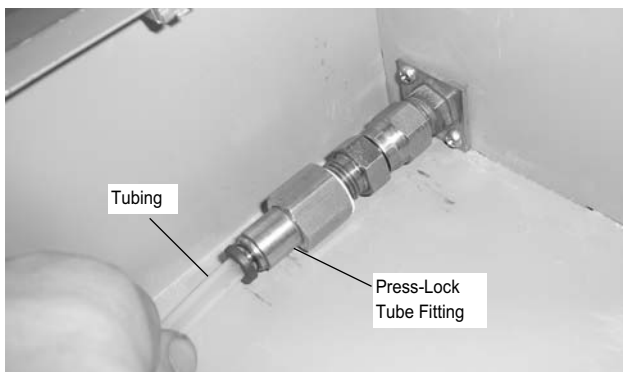


## Installing Retrofit Kit

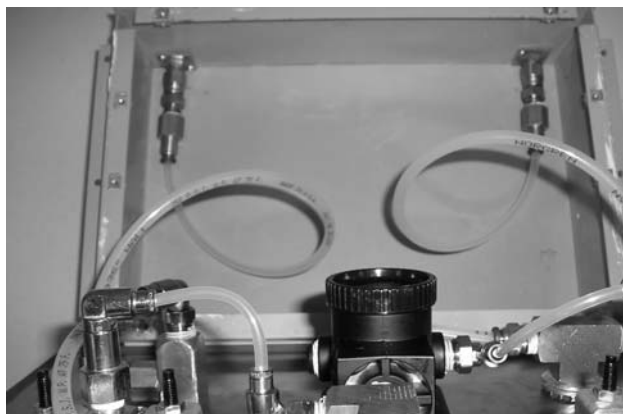
1. Remove flare nut assembly (supplied with retrofit kit) from polyethylene bag and install to fittings at top of rough-in box.



2. Remove yellow dust caps from tube ends. Insert tubes into press-lock tube fitting attached to flare nut swivel connector.



**NOTE:** “Loop” tubing as shown to avoid kinks.



3. Using leak-detection solution, leak test threaded connection of flare nut and fitting in rough-in box.

4. Position front panel over rough-in box and screw into place using (4) #6-32 x 1-1/2” screws provided with retrofit kit.



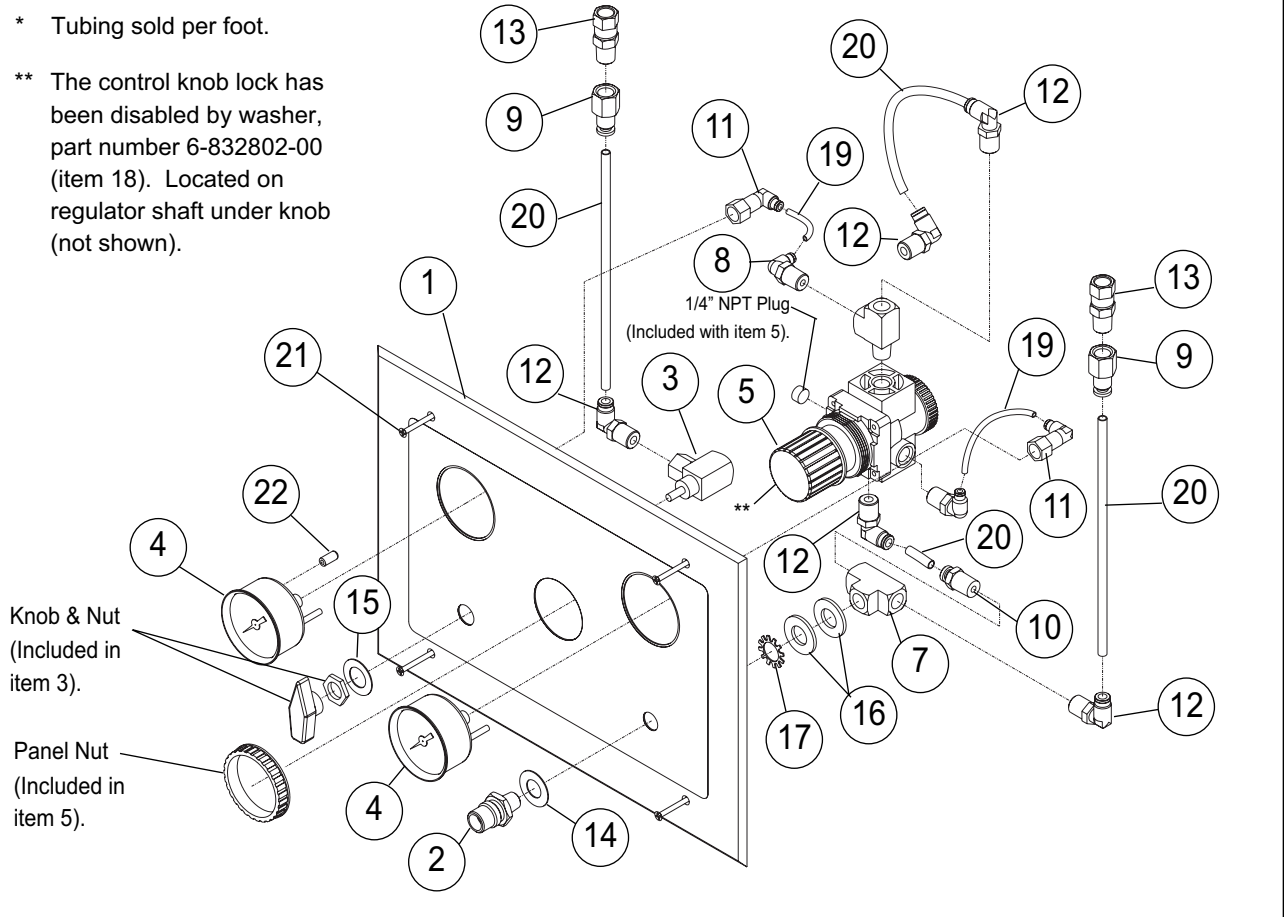
## Testing

1. If remote outlet is powered from control panel, set flow valve to OPEN position and adjust control knob to approximately 50 PSI. Purge nitrogen from remote outlet to verify debris (if any) is blown out.
2. Set new control panel's flow valve to OPEN position. Turn new control panel's control knob from minimum to maximum position and verify pressure increases smoothly.
3. Turn flow valve to CLOSE. Observe outlet pressure gauge for one minute. Verify gauge reading does not drop.
4. Turn flow valve to OPEN position. While turning control knob counterclockwise to minimum position, verify pressure drops smoothly.

# Replacement Parts

\* Tubing sold per foot.

\*\* The control knob lock has been disabled by washer, part number 6-832802-00 (item 18). Located on regulator shaft under knob (not shown).



Item	Part Number	Description
1	6-490094-00	Front Panel - N2 Retrofit Kit
2	6-121211-14	Adapter, N2, DISS Check Valve x 1/4" NPT Male
3	6804-2080-018	Valve, Ball, Right Angle, 1/4" NPT
4	6-130077-00	Gauge - 300 PSI
5	6-122009-00	Pressure Regulator
6	6-515749-00	Street Tee, 1/4" NPT
7	6-515744-00	Branch Tee, Female, 1/4" NPT
8	6-515667-00	Elbow, Swivel, Male, 5-32" Tube x 1/4" NPT
9	6-515603-00	Connector, Female, 1/4" Tube x 1/4" NPT
10	6-515638-00	Connector, Male, 1/4" Tube x 1/4" NPT
11	6-515669-00	Elbow, Swivel, Female, 5/32" Tube x 1/4" NPT
12	6-515678-00	Elbow, Swivel, Male, 1/4" Tube x 1/4" NPT
13	6-515643-00	Connector, Swivel, 5/16" Flare Nut x 1/4" NPT
14	6812-2000-659	Washer, SST, 1.10 O.D. x .56 I.D.
15	6812-2000-660	Washer, SST, 1.10 O.D. x .63 I.D.
16	6-832803-00	Washer, 1/2"
17	6812-2000-662	Washer, External Tooth, Type A, 9/16"
18	6-832802-00	Washer, SAE, 5/16"
19	6-611642-00*	Tubing, Nylon 11, 5/32" O.D.
20	6-611644-00*	Tubing, Nylon 11, 1/4" O.D.
21	6-811065-00	Screw, Machine, Flat Head, #6-32 x 1-1/2" Lg.
22	6-836859-00	Dust Cap

## Warranty

BeaconMedæ's warrants the Ohmeda N2 Retrofit Kit to be free of defects in materials or workmanship when installed and operated in accordance with instructions. Warranty period is 30 months from shipment date or 24 months from startup, whichever period terminates earlier.

This warranty covers all necessary parts and labor required for correction of defect whether by any or all of repair, replacement, or credit, which election shall be made by BeaconMedæ's at its sole discretion.

This warranty requires owner to ensure that equipment is 1) started up or placed in service by an authorized representative of BeaconMedæ's, 2) certified in accordance with NFPA 99, most recent edition, by a properly qualified certification agency, and 3) maintained in strict accordance with Operation and Maintenance Instructions provided with the product.

Warranty claims will be honored only after examination by BeaconMedæ's and only when such examination shall disclose to BeaconMedæ's reasonable satisfaction that such equipment has not been damaged in shipment or installation, improperly installed, operated outside of any published operating limits (including but not limited to temperature, pressure, humidity, or ventilation), improperly or inadequately maintained, field modified in any way, improperly repaired, or in any other way improperly applied or used.

All claims against this warranty require prompt

notification, within warranty period, of any seeming defect. Failure to promptly notify BeaconMedæ's of seeming defect will invalidate all warranties.

This warranty excludes damage or defect caused by shipping, acts of God, fire, war, labor difficulties, action of government, or other cause beyond reasonable control of BeaconMedæ's.

This warranty is given in lieu of all other warranties, expressed or implied, including implied warranties of fitness for a particular purpose and merchantability. In no event shall BeaconMedæ's be liable for damages in excess of value of defective product, nor shall BeaconMedæ's be liable for any direct, special or consequential damages, loss of profit of any kind, or for loss of use of products.



**Corporate Headquarters:**

BeaconMedæ's  
PO Box 7064  
13325A Carowinds Boulevard  
Charlotte, NC 28241  
Phone (704) 588-0854  
Fax (704) 588-4949

**For technical support or to**

**place an order call:**

1 888 4 MEDGAS  
(1-888-463-3427)  
Fax (866) 635-3296

[www.beaconmedaes.com](http://www.beaconmedaes.com)