

Compact Gas Control Panel



General Specifications:

The Compact Gas Control Panel shall be an Amico Alert-1 series.

The Compact Gas Control Panel shall consist of a carbon steel coated plate, pressure regulator, inlet pressure indicator, DISS outlet adapter, gas specific lamacoid, and have 1/4" (6.35 mm) internal copper tubing.

The DISS outlet shall be a Diameter Index Safety System (D.I.S.S.) for an Air or Nitrogen service outlet or "Safety Swing Coupling" for pressure above 200 psig (1,379 kPa). The outlets shall be used for connection to pneumatic surgical tools.

The plate shall include a color coded label to indicate which gas the control panel was designed for.

Amico is not a supplier of mounting fasteners, these are to be purchased separately.

The unit shall be factory tested and cleaned for intended gas service.

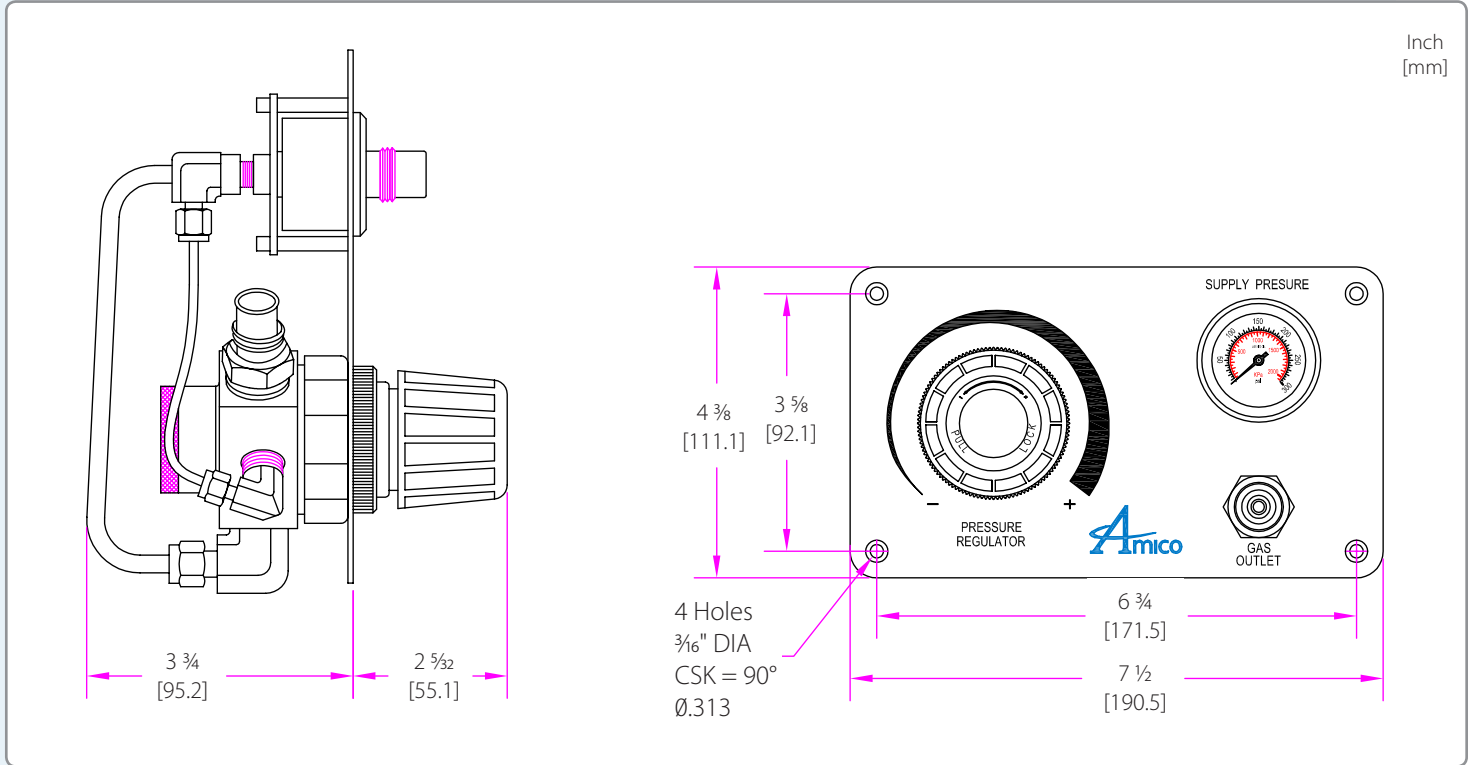
Amico products comply with NFPA-99 and CSA Z7396.1.

Features:

- Inlet pressure display gauge in psi/kPa
- 1/4" (6.35 mm) internal tubing for high flow
- High flow capacity regulator
- Maximum supply pressure 250 psi (1,724 kPa)
- Maximum delivery pressure:

DISS: AIR, CO ₂	=	80 psi (551 kPa)
NIT, IAIR	=	200 psi (1,379 kPa)
HP Safety Swing Coupling	=	250 psi (1,724 kPa)

Project



Model Numbers

N-CLCP-L-GAS

The Letter "L" Defines the Language:

E = English (ISO)
U = English (NFPA)

The Word "GAS" Defines the Type of Gas:

Nitrogen	= NIT
Medical Air	= AIR
Instrument Air	= IAIR
Lab Air	= LAIR
Carbon Dioxide	= CO2

With Stainless Steel Pigtail

N-CLCP-L-GAS-P

With Hose Assembly

N-CLCP-L-GAS-H

Distributed By:

