

Retro-Fit Manual v1.2

# Ohio Gauge Alarm



# Amico

# Product Specifications

The Amico Retro-fit Alarm will allow an existing Ohio alarm to be replaced, without removing the existing back box and pipe-stubs.

The LCD filler frame enables the Amico Alert-3 LCD alarm front assembly to sit on the wall of the existing alarm panel box. The filler frame acts like a spacer between the Chemetron/Allied box and the front assembly. Please make sure that the power source at the breaker panel is turned off before replacing the power supply. The gas supply may also be required to be shut off.

## Installation Instructions

Remove the front frame and the display modules from the back box. Remove all internal components of the Ohio alarm (mother board, power supply, sensors and all wiring).

Ensure that the back box is clear of ALL screws, studs, stand-offs and insert tabs.

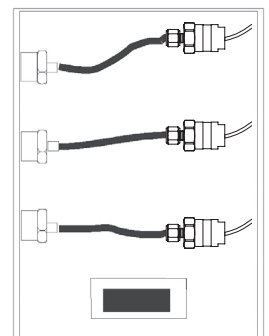
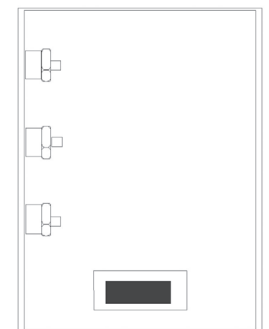
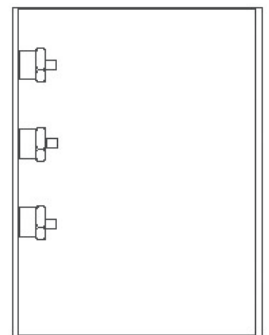
Add the power supply to the bottom of the back box assembly. Use 4 tapping screws to hold the power supply in the box. Use tapping screws for grounding wires. Please note, that tapping screws, or any other screws, are not supplied by Amico.

Connect the Alert-3 sensor, which contains the male quick-connect, to the already installed hansen female fitting.

Attach the Amico filler box to the wall surface. Ensure that the box on the wall is centered to the top of the filler box (this may vary based on spacing). Attach the bottom plate to the bottom of the alarm box to cover the gap.

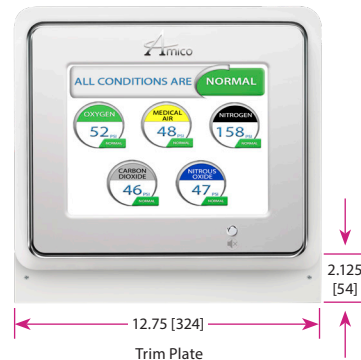
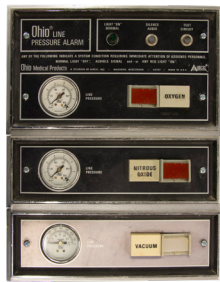
Install the front assembly and follow the "Alert -3 Alarm Installation and Operation Manual".

**NOTE:** The Ohio Alarm is supplied with both the Alert-3 and Retro-Fit Alarm Manual.



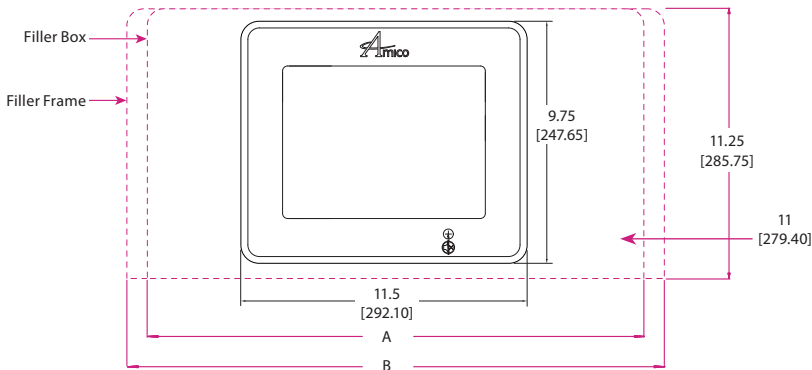
# Installation Instructions

A complete alarm assembly conversion from Ohio to Amico.

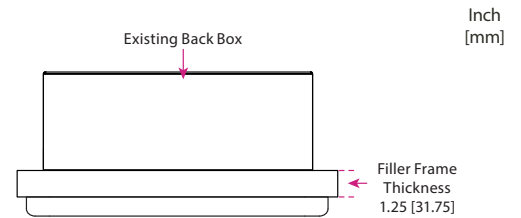


## Product Dimensions

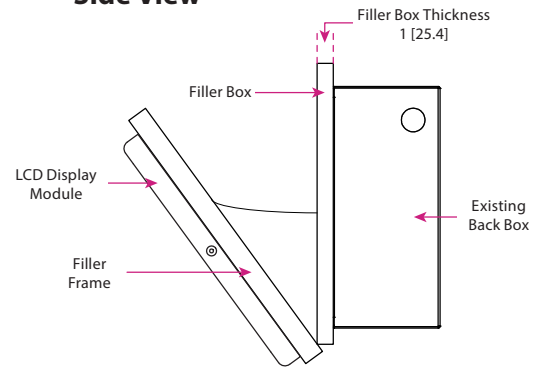
### Front View



### Top View



### Side View



Number of Display Modules (existing)	A (Filler Box)	B (Filler Frame)	Number of Gangs	Trim Plate Height
From 1 to 2 modules	12.75 (324)	N/A	3	2.125 (54)
From 1 to 3 modules	16 (406)	16.25 (413)	4	2.125 (54)
From 1 to 4 modules	19.3 (490)	19.56 (497)	5	2.125 (54)
From 1 to 6 modules	26 (660)	26.25 (667)	7	2.125 (54)

### NOTES:

Standard height for the Trim Plate is 2.125" (54 mm) and the width is the same as Column A (Filler Box)

### Filler Frame Part Numbers

- A3P-LCD-FILLER-3 Alert-3 LCD Conversion Alarm Filler Frame 3-Station
- A3P-LCD-FILLER-4 Alert-3 LCD Conversion Alarm Filler Frame 4-Station
- A3P-LCD-FILLER-5 Alert-3 LCD Conversion Alarm Filler Frame 5-Station
- A3P-LCD-FILLER-7 Alert-3 LCD Conversion Alarm Filler Frame 7-Station

### Trim Plates

- A3P-CONKIT-GANG-3
- A3P-CONKIT-GANG-4
- A3P-CONKIT-GANG-5
- A3P-CONKIT-GANG-7

### NOTES:

1. Alert-2 Sensor Modules are not compatible with the Alert-3 LCD Alarm.
2. An LCD filler frame is required if the existing alarm width is more than 10" (254 mm).
3. An Ohio Alarm requires a trim plate to cover the bottom gap.

[www.amico.com](http://www.amico.com)

Amico Corporation | 85 Fulton Way, Richmond Hill, ON L4B 2N4, Canada  
71 East Industry Court, Deer Park, NY 11729, USA  
Toll Free Tel: 1.877.462.6426 | Tel: 905.764.0800 | Fax: 905.764.0862  
Email: [info@amico.com](mailto:info@amico.com) | [www.amico.com](http://www.amico.com)