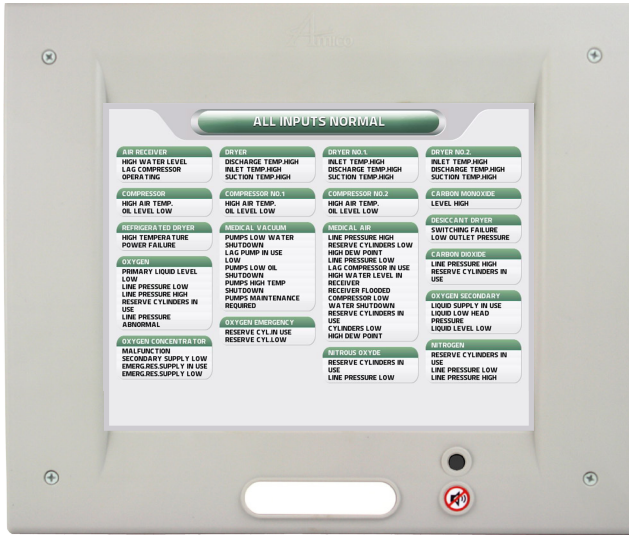


LCD Ethernet Master Alarm



General Specifications:

The Amico LCD Ethernet Master Alarm system shall be an Amico Alert-4 series, complete with a five-year warranty.

Each LCD Alarm shall be microprocessor based and field adjustable.

Ethernet capable for convenient viewing, remotely or wirelessly, anywhere in the building.

Monitor up to 30 channels.

Each channel can be labelled with up to 16 characters per line. Alarm conditions can be selected as normally open or normally closed.

Channels can be grouped together or separated using Amico Master Configuration Software.

When channels are in normal condition, the channel will illuminate in green.

When a channel is in fault condition, an alarm will sound and both the channel heading and the channel in fault will illuminate in red. Heading will display channel status in fault.

Maintenance mode for easy troubleshooting; press and hold the mute button for 20 seconds and the display will show the terminal port for each channel.

Repeat alarm function shall be capable of turning on the buzzer again after a preset time, if the fault condition has not been rectified.

Dry contact for remote monitoring.

The Amico Alert-4 Series LCD Master Alarm is Ethernet ready, for use with Internet Explorer and Google Chrome.

Amico products comply with NFPA 99 and CSA Z7396.1.

Ethernet Ready

View your alarms on your computer or mobile device.



Features:

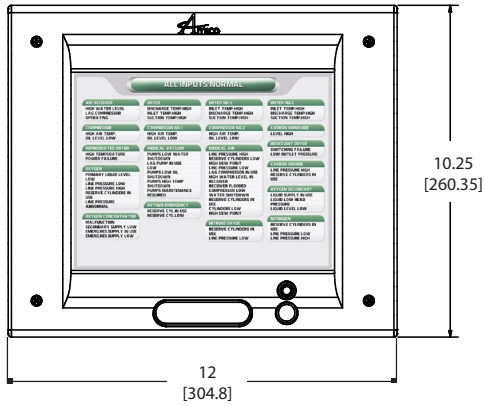
- The LCD Alarm shall be capable of displaying an exact replica of the alarm on a computer screen via the facility's ethernet or internet. In addition, an exact image of the alarm can be displayed on a mobile device via wifi
- The LCD Alarm will update its status every second

Project

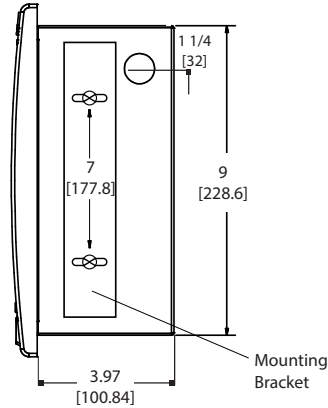
Technical Specifications

Inch
[mm]

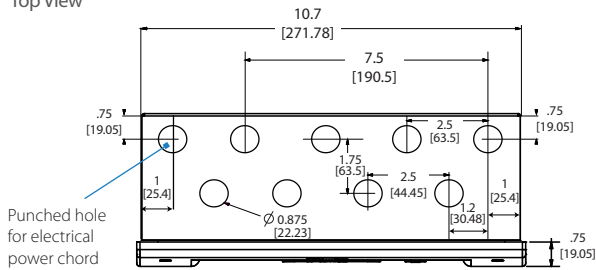
Front View



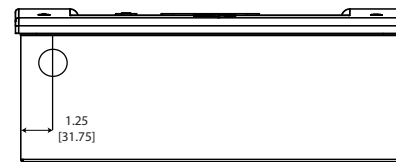
Side View



Top View



Bottom View



Model Number

A4M-E-XX

The "XX" Represents the Number of Points:

- 10 = 1 to 10 Points
- 20 = 1 to 20 Points
- 30 = 1 to 30 Points

Distributed By:

